



Founded in 1946

Project: _____

Items: _____

Quantity: _____

Approval: _____

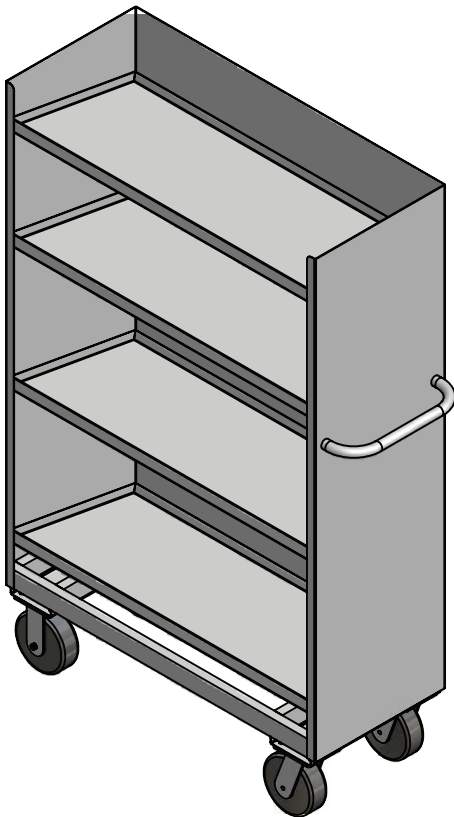
Date: _____

OVERSTOCK CART

Overstock Cart

SC-1638-GR-FM

- Great for overstock merchandise. Keeps inventory organized for quick and easy restocking
- Narrow 16" width deck, perfect in aisles.
- Constructed of all welded steel, with three slanted shelves and lip to prevent run off.
- Side handle makes movement of the cart easy.
- Optimizes backroom floor space and accessibility to stock.
- Standard color is green, other colors available upon request.
- Maneuvers easily on (4) 6" Polyurethane casters.



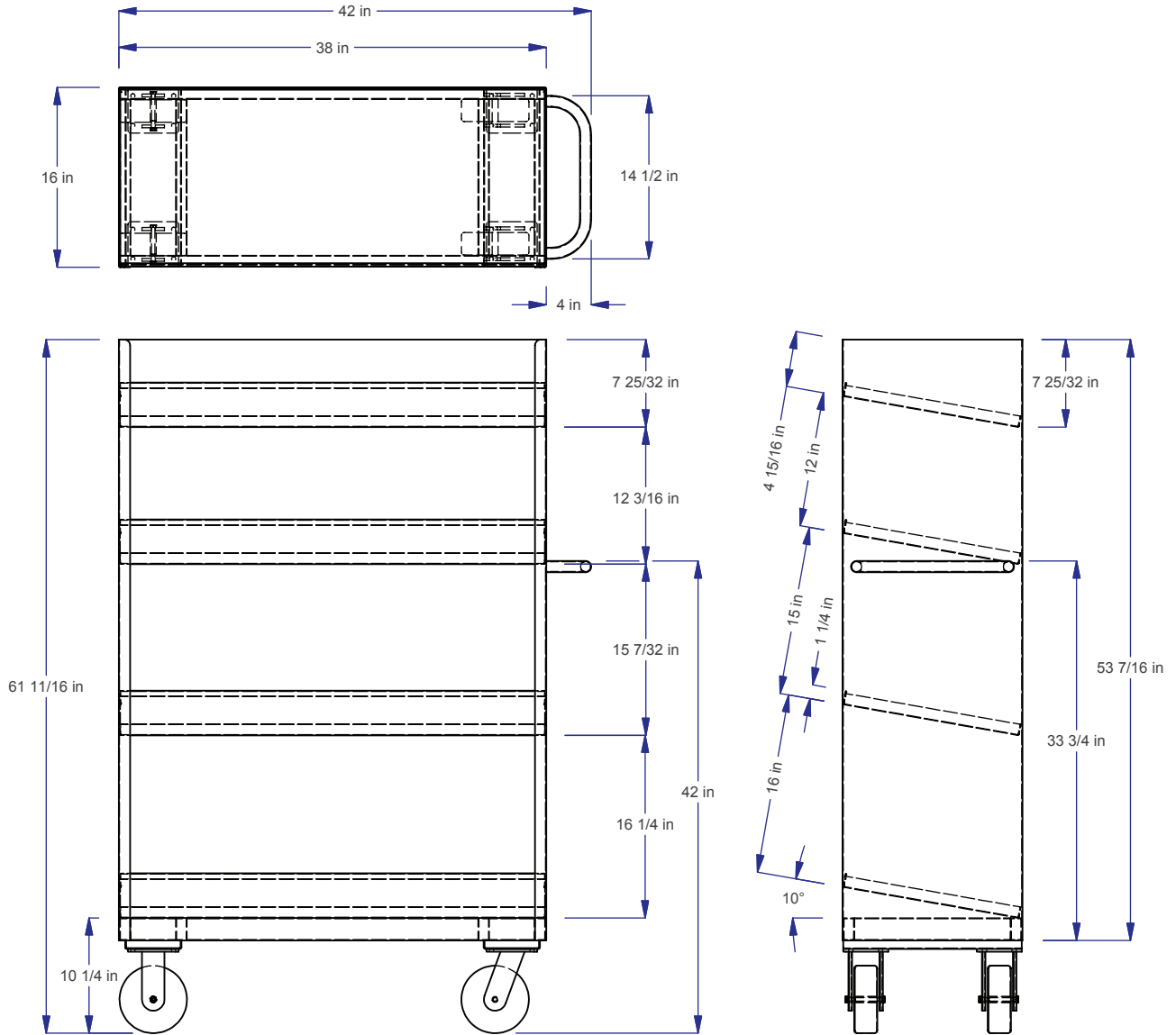
SC-1638-GR-FM

Great for overstock merchandise. Keeps inventory organized for quick and easy restocking of shelves.





Founded in 1946



SHELVES ARE SLANTED TOWARD THE BACK OF THE CART AT A 10 DEGREE ANGLE

Model Number	Order#	Overall Dimensions						Capacity		Approx. Ship Wt	
		Width		Length		Height		(lb)	(kg)	(lb)	(kg)
		(in)	(mm)	(in)	(mm)	(in)	(mm)				
SC-1638-GR-FM	655314	16	406	42	1,600	61	1,549	2,000	907	100	45

Caster Information
 Swivel Plate Caster w/ 6" Polyurethane Wheel 7326 (123131)
 Rigid Plate Caster w/ 6" Polyurethane Wheel 7417 (123351)
 6" Polyurethane Wheel 7129 (122446)
 Freight Class: 70

In line with our poicy to continually improve our products, Winholt reserves the right to change materials and specifications without notice. 6.2014