



Founded in 1946

Project: _____

Items: _____

Quantity: _____

Approval: _____

Date: _____

Icing Cart

- Stainless steel all welded construction.
- Lifetime Warranty Against Rust
- Narrow cart designed for cake icing containers.
- Slanted shelves and stop bar are at a perfect working angle.
- Shelves are 17 1/2" apart
- Maneuvers easily on (4) swivel stem polyurethane casters.



Model Number	Order#	Overall Dimensions						Approx. Ship Wt	
		Width		Length		Height			
		(in)	(mm)	(in)	(mm)	(in)	(mm)	(lb)	(kg)
SSIC-1544-3S	378521	15	381	44	1118	52	1320	70	751

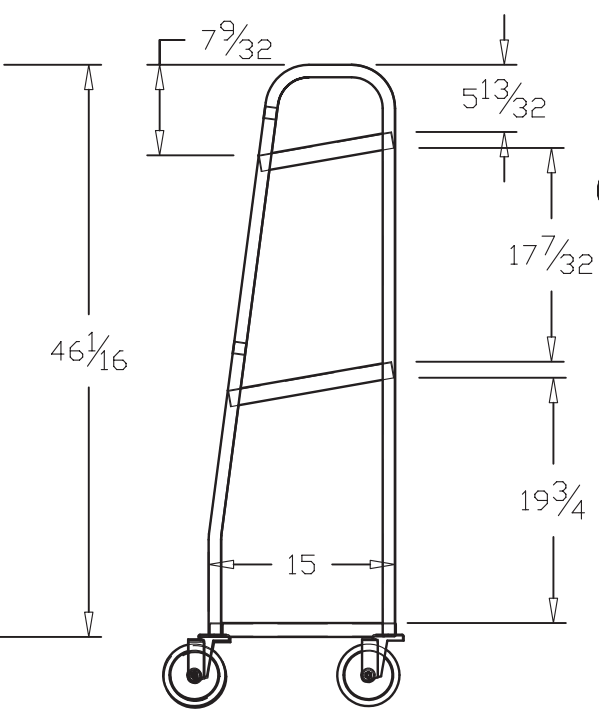
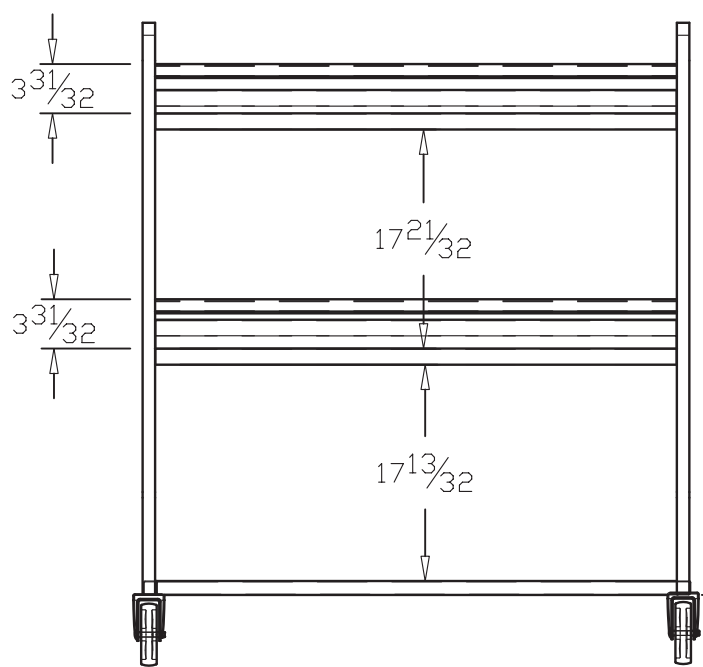
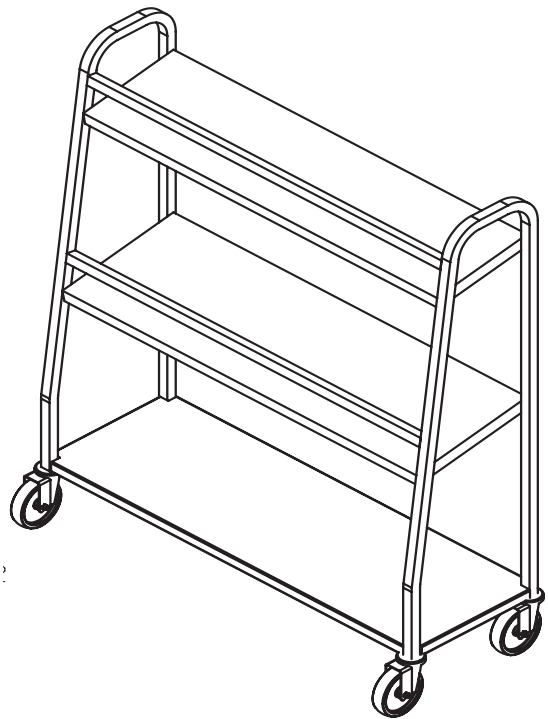
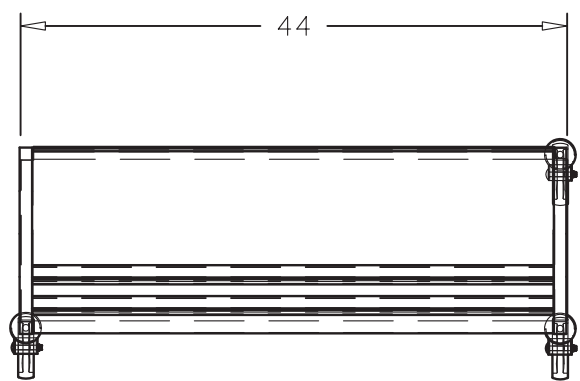
Caster Information
 Swivel Square Stem Caster with 5" Polyurethane Wheel 757 (123684)
 5" Polyurethane Wheel 7112 (122180)
 Freight Class: 250

Winholt Equipment | 141 Eileen Way | Syosset, New York 11791
 Pennsylvania Texas California India China

800.444.3595 | 516.921.0538 fax | www.winholt.com



Founded in 1946



Winholt Equipment | 141 Eileen Way | Syosset, New York 11791
Pennsylvania Texas California India China

800.444.3595 | 516.921.0538 fax | www.winholt.com