



Over 90 Years Of Quality Foodservice
Products And Service

Job _____ Item No. _____

Universal Ventless Hood

MODEL □ WV-48FB



Model WV-48FB

DESCRIPTION

Wells Universal hoods are Certified Type-1 compliant, UL710B approved recirculation hood systems and feature completely self-contained air filtration and fire-suppression systems. They do not require venting outside making it possible to cook in non-traditional locations or when traditional Type-1 hoods and duct-work are impractical, restricted or too expensive. The WV-48FB is specifically designed to accommodate single and multi-vat fryers, conventional ovens, convection ovens, combination ovens and steamers – providing flexibility, through-put and high-volume frying.

SPECIFICATIONS

Fire Protection – Completely self contained ANSUL® R-102 system includes ANSUL® tank, nitrogen cartridge, ANSUL® soperanifier, piping, heat sensors, ANSUL® drops, nozzles, and movable manual pull station. Manual pull can be relocated to the egress position or an additional station can be added by an authorized ANSUL® representative. Front access for easy fire system maintenance. Fire protection system meets NFPA 96 Chapter 13. Fire protection system must be charged and certified by ANSUL® Authorized distributor after installation and before first use (operator's responsibility).

Filtration – Completely self-contained filtration process reduces emissions below that allowed in NFPA 96 and ANSI UL710B using the EPA 202 test method and includes stainless steel grease baffle filter with grease cup, fiberglass pre-filters, HEPA (High-Efficiency Particulate Air) filter/ carbon-charcoal filter pack. All filters are easily removable with out tools. Air flow sensors continually monitor air flow optimizing performance and grease removal while an interlock system will not allow cooking appliances to function if filters are missing, clogged or in the event of a fire.

Cooking Appliances – Only electrically heated appliances are acceptable for installation. Cooking equipment is optional from Wells or other manufacturers. Appliances must be installed as per manufacturers instructions and controlled thru the hood equipment shut-off interface through a customer supplied contractor which will disable cooking equipment in the event of fire or hood malfunction. For size, temperature and KW limits see back page or manual.

Exhaust and Air Flow – Exhaust air may be horizontal or vertical. Hoods are shipped for horizontal discharge and are field convertible for vertical discharge. Typical airflow is 1,500 CFM. A minimum of 800 cubic feet of fresh air per minute is recommended both in and out of the cooking area to ensure the dilution of cooking aromas.

STANDARD FEATURES

- Completely self-contained, 4-stage filtration system
- Completely self-contained fire protection system
- Very quiet with only 68 dBA average
- Interlock system will disable cooking appliances if filters are missing, clogged or in the event of a fire
- Airflow sensors continually monitor airflow for optimizing performance and grease removal
- Illuminated early-warning system to monitor filter replacement
- Completely self-contained filtration process reduces emissions below that allowed in NFPA 96 and ANSI UL710B using the EPA 202 test method
- Three LED lights producing 495 lumens each for improved visibility - light color temperature (cool white): 6000K
- Stainless steel construction for strength, durability and ease of cleaning
- Fits through a 36" wide door opening
- 6" to 8" adjustable legs (adjustable by 2" for leveling)
- Universal systems are movable making them ideal for leased properties
- Available in 208/240V, 1Ø
- Available in 230V, 50 HZ, 1Ø
- Limited two-year parts and one year labor warranty**

OPTIONS & ACCESSORIES

- Pre-filters
- 10" to 12" adjustable legs (adjustable by 2" for leveling)
- HEPA / carbon-charcoal filter packs
- Stainless steel back panels
- Round exhaust duct adapter for remote exhaust flue
- Stainless steel back panel kit

CERTIFICATIONS



Sheet No. WELLS-WV-48FB-05/15



Wells Bloomfield • 10 Sunnen Dr. St. Louis, MO 63143 U.S.A.
Phone : (314) 678-6314 • Fax (314) 781-3636
www.wellsbloomfield.com • Printed in the U.S.A.

NOTE: Specifications are subject to change without notice and are not intended for installation purposes. See installation instructions prior to installing the unit.



Over 90 Years Of Quality Foodservice Products And Service

Universal Ventless Hood

MODEL □ WV-48FB

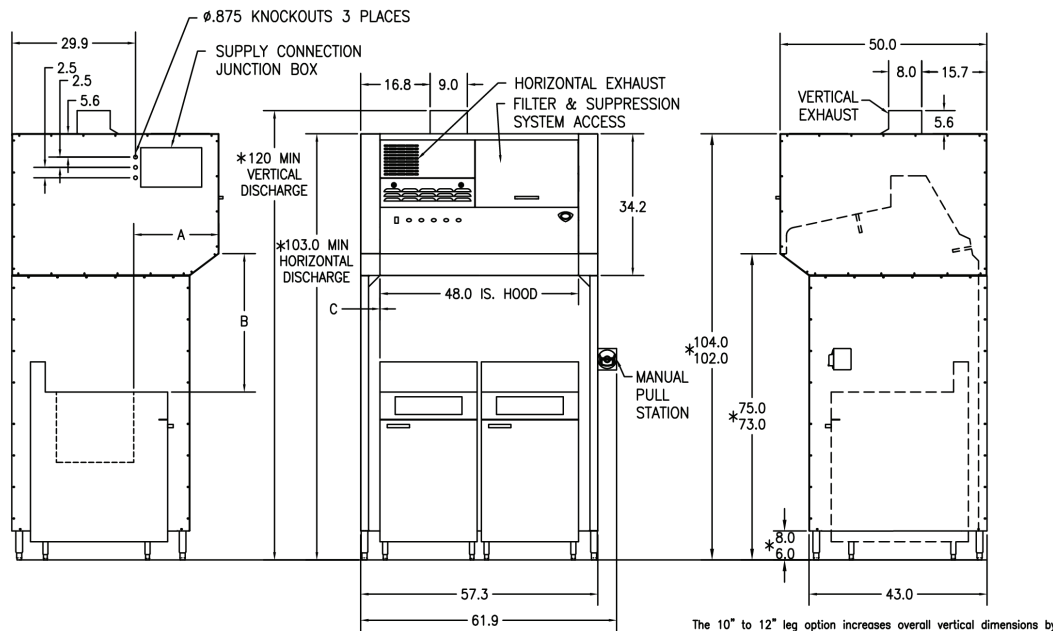
GENERAL LAYOUT DATA

MODEL WV48FB VENTLESS HOOD SYSTEM



VOLTAGE AC	AMPS 1 PH	HERTZ	HORSE POWER	TYPICAL AIRFLOW	MAX GREASE EMISSIONS	CLEARANCE TO COMBUSTIBLES	SOUND LEVEL dBA AVG	UNDER HOOD LED LIGHTING
208/240	3.5	60	3/4	1500 CFM	.0024 LB/HR/FT	N/A	68	1485 LUMENS
230	5.3	50						

SPECIAL ENVIRONMENTAL NOTICE: THE HOOD SYSTEM IS DESIGNED TO REDUCE EMISSIONS BUT WILL NOT COMPLETELY ELIMINATE COOKING AROMAS. AIR EXCHANGE AT THE INSTALLATION SITE MUST COMPLY WITH REQUIREMENTS OF THE LOCAL JURISDICTIONAL AUTHORITY. A MINIMUM OF 800 CUBIC FEET OF FRESH AIR PER MINUTE INTO THE AREA IS RECOMMENDED TO ENSURE ADEQUATE DILUTION.



The 10" to 12" leg option increases overall vertical dimensions by up to 4" allowing taller equipment to be used under the hood. "B" equipment parameters still apply.

ACCEPTABLE APPLIANCES BY APPLIANCE TYPE	KW/FT MAX	MAX COOKING TEMP	MAXIMUM SINGLE HEATED SURFACE LENGTH	DIM A MIN (2)	DIM B MIN (3)	DIM B MAX (3)	DIM C MIN (4)
SINGLE VAT FRYER	16.9	400	18	14	37	42	0
MULTI VAT FRYER (1)	16.9	400	48	14	37	42	0
OVEN/CONVECTION OVEN	N/A	550	48	6	8	N/A	0
STEAMER/COMBI OVEN	N/A	550	48	6	8	N/A	0

- (1) MAXIMUM SINGLE VAT WIDTH 18".
- (2) FRONT OF HOOD TO FRONT EDGE OF HEATED COOKING SURFACE.
- (3) BOTTOM FRONT EDGE OF HOOD TO HEIGHT OF HEATED COOKING SURFACE.
- (4) CLEARANCE FROM HOOD SIDE PANEL TO HEATED COOKING SURFACE.

THE HOOD AND ALL UNDER HOOD APPLIANCES MUST BE INSTALLED IN ACCORDANCE WITH THE STANDARD FOR VENTILATION CONTROL AND FIRE PROTECTION OF COMMERCIAL COOKING OPERATIONS NFPA 96, THE NATIONAL ELECTRIC CODE NFPA 70 AND ALL LOCAL CODES WHERE APPLICABLE. ALL UNDER HOOD APPLIANCES MUST BE INSTALLED AS PER MANUFACTURER INSTRUCTIONS AND CONTROLLED BY THE HOOD EQUIPMENT SHUTOFF INTERFACE THROUGH A CUSTOMER SUPPLIED CONTACTOR. SEE THE INSTRUCTION MANUAL FOR INTERFACE CONNECTION OPTIONS. PRIOR TO OPERATION THE FIRE SUPPRESSION SYSTEM MUST BE CHARGED AND CERTIFIED BY AN ANSUL? AUTHORIZED DISTRIBUTOR.

SK2894 (REV A) 5-1-15

Weights				Shipping Information						Crate Size		
Shipping Weight		Installed Weight		Carton Dimensions		Carton Dimensions		Carton Dimensions		Crate Size		
Pounds	KG	Pounds	KG	Width	Depth	Width	Depth	Height	Width	Height	Cubic Feet	Cubic Meters
inches	mm	inches	mm	inches	mm	inches	mm	inches	mm	inches	mm	
1189	541	798	363	60	1524	70	1778	55.5	1410	179	5.06	

Due to periodic changes in designs, methods, procedures, policies and regulations, the specifications contained in this sheet are subject to change without notice. While Wells exercises good faith efforts to provide information that is accurate, we are not responsible for errors or omissions in information provided or conclusions reached as a result of using the specifications. By using the information provided, the user assumes all risks in connection with such use.



Wells Bloomfield • 10 Sunnen Dr. St. Louis, MO 63143 U.S.A.
 Phone: (314) 678-6314 • Fax (314) 781-3636
 www.wellsbloomfield.com • Printed in the U.S.A.

NOTE: Specifications are subject to change without notice and are not intended for installation purposes. See installation instructions prior to installing the unit.