



Outperform every day.™

**Project:**

**Item Number:**

**Quantity:**

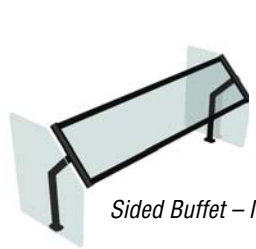
## TRADITIONAL STYLE BREATH GUARDS



Double-Sided Buffet – Standard



Single-Sided Buffet with Top Shelf – Standard



Sided Buffet – NSF



Vertical Cafeteria – Standard



Cafeteria with Top Shelf – Standard

### DESCRIPTION

Traditional Contemporary breath guards are both light weight for easy installation and strong for long-term use. These breath guards can be used with Signature Server® and V-class bases, as well as drop-ins. They are available in Standard and NSF certified models.

### FEATURES

- Constructed of 1½" (3.2 cm) extruded aluminum, Traditional breath guards are both light weight for easy installation and strong for long-term use
- ¼" (6.4 mm) tempered glass is secured in a tight-fitting channel, creating a continuous, clean line from framework to glass
- NSF rated models feature extended glass side panels and ¼" (6.4 mm) acrylic end panels
- Available in natural aluminum finish or 9 stylish powder-coated colors
- Mounts to stainless steel, solid surface and laminate countertops

**WARRANTY:** All models shown come with Vollrath's standard warranty against defects in materials and workmanship. For full warranty details, please refer to the Vollrath Equipment and Smallwares Catalog.

### BUILD A MODEL NUMBER

Step 1* Select Base Item					Step 2 Select Color		Optional Step 3 Select Accessories	
Length	Standard		NSF		Suffix	Color	Not available for Single-Sided Buffet, Cafeteria and Vertical styles.	
	Signature Server® with Stainless Steel Countertops	Signature Server® with Laminate or Corian® Countertops and V-Class Custom	Signature Server® with Stainless Steel Countertops	Signature Server® with Laminate or Corian® Countertops and V-Class Custom			Suffix	Length
<b>Double Sided Buffet</b>								
2-Well/Pan	89285	PB89285	N89285	NPB89285	99	Standard Aluminum	66	2-Well/Pan
3-Well/Pan	89286	PB89286	N89286	NPB89286	00	Polished Chrome	67	3-Well/Pan
4-Well/Pan	89287	PB89287	N89287	NPB89287			92	4-Well/Pan
5-Well/Pan	89288	PB89288	N89288	NPB89288			93	5-Well/Pan
6-Well/Pan	89289	PB89289	N89289	NPB89289	10	Brass	94	6-Well/Pan
<b>Single Sided Buffet with Top Shelf</b>								
2-Well/Pan	89280	PB89280	N89280	NPB89280	30	Black 80% Gloss	05	2-Well/Pan
3-Well/Pan	89281	PB89281	N89281	NPB89281	40	White Hammer	06	3-Well/Pan
4-Well/Pan	89282	PB89282	N89282	NPB89282			07	4-Well/Pan
5-Well/Pan	89283	PB89283	N89283	NPB89283			08	5-Well/Pan
6-Well/Pan	89284	PB89284	N89284	NPB89284	50	Copper Vein	09	6-Well/Pan
<b>Single Sided Buffet</b>								
2-Well/Pan	89270	PB89270	N89270	NPB89270	60	Silver Vein	<b>Incandescent Lights</b>	
3-Well/Pan	89271	PB89271	N89271	NPB89271			05	2-Well/Pan
4-Well/Pan	89272	PB89272	N89272	NPB89272			06	3-Well/Pan
5-Well/Pan	89273	PB89273	N89273	NPB89273			07	4-Well/Pan
6-Well/Pan	89274	PB89274	N89274	NPB89274			08	5-Well/Pan
							09	6-Well/Pan
<b>Cafeteria with Top Shelf</b>								
2-Well/Pan	89265	PB89265	N89265	NPB89265	<b>Cayenne® Heat Strips</b>			
3-Well/Pan	89266	PB89266	N89266	NPB89266	95	2-Well/Pan		
4-Well/Pan	89267	PB89267	N89267	NPB89267	68	3-Well/Pan		
5-Well/Pan	89268	PB89268	N89268	NPB89268	97	4-Well/Pan		
6-Well/Pan	89269	PB89269	N89269	NPB89269	98	5-Well/Pan		
					11	6-Well/Pan		
<b>Vertical Cafeteria</b>								
2-Well/Pan	89260	PB89260	N/A		<b>Cayenne® Heat Strips w/ Lights</b>			
3-Well/Pan	89261	PB89261			13	2-Well/Pan		
4-Well/Pan	89262	PB89262			01	3-Well/Pan		
5-Well/Pan	89263	PB89263			02	4-Well/Pan		
6-Well/Pan	89264	PB89264			03	5-Well/Pan		
				04	6-Well/Pan			

\*When ordering breath guards for Signature Server® bases with stainless steel countertops, 14 gauge countertops must be specified, will be supplied by Vollrath and added to the cost of the base. Please see the Vollrath Food Service List Prices book.

Due to continued product improvement, please consult [www.vollrath.com](http://www.vollrath.com) for current product specifications.



Outperform every day.™  
[www.vollrath.com](http://www.vollrath.com)

The Vollrath Company, L.L.C.  
1236 North 18th Street  
Sheboygan, WI 53081-3201 U.S.A.  
Customer Service: 800.628.0830  
Canada Customer Service: 800.695.8560  
Main Fax: 800.752.5620 or

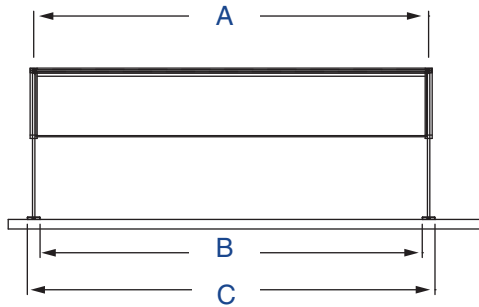
Technical Services: 800.628.0832  
Technical Services Fax:  
920.459.5462

# TRADITIONAL STYLE BREATH GUARDS

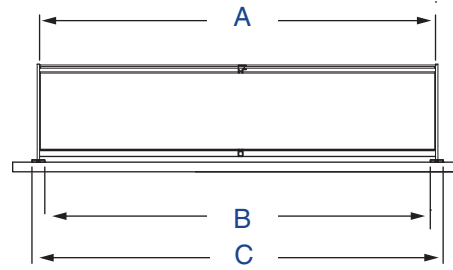
## DIMENSIONS

Dimensions shown in inches (cm).

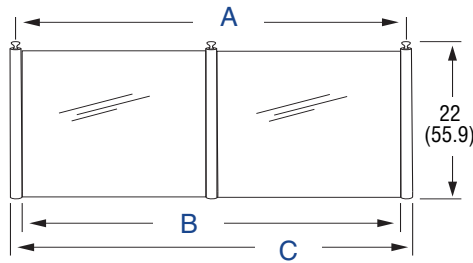
### Front View



Double Sided Buffet, Single Sided Buffet with Top Shelf and Single Sided Buffet



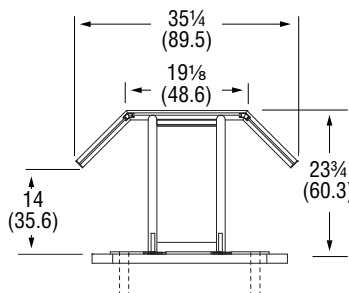
Single Sided Cafeteria with Top Shelf



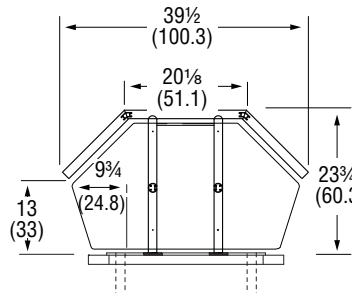
Vertical Cafeteria (Standard)

### Side View

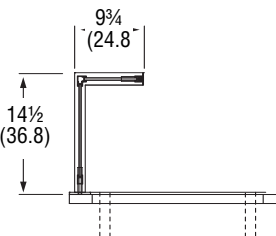
Style	(A) Centerline to Centerline	(B) Inside of Flange to Inside of Flange	(C) Outside of Flange to Outside of Flange
Two-Well/Pan	32½ (82.6)	30½ (77.5)	34½ (87.6)
Three-Well/Pan	45 (114.3)	43 (109.2)	47 (119.4)
Four-Well/Pan	58¼ (148)	56¼ (142.9)	60¼ (153)
Five-Well/Pan	71½ (181.6)	69½ (176.5)	73½ (186.7)
Six-Well/Pan	84¾ (215.3)	82¾ (210.2)	86¾ (220.3)



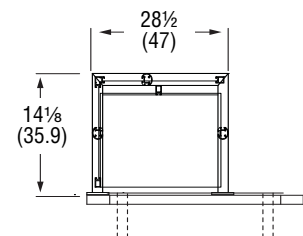
Double-Sided Buffet Standard



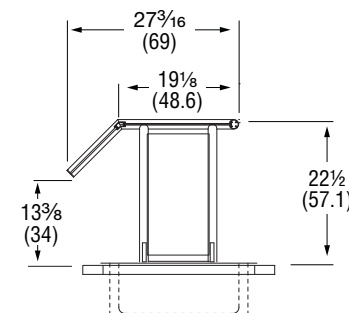
Double-Sided Buffet NSF



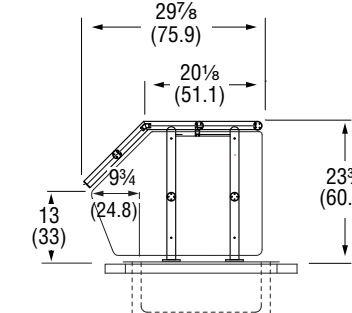
Cafeteria with Top Shelf Standard



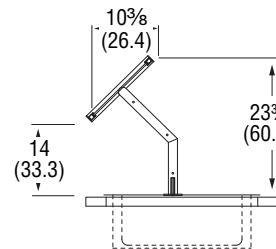
Cafeteria with Top Shelf NSF



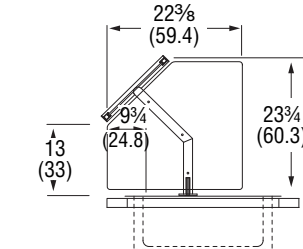
Single-Sided Buffet with Top Shelf – Standard



Single-Sided Buffet with Top Shelf – NSF



Single Sided Buffet Standard



Single Sided Buffet NSF



Outperform every day.™

[www.vollrath.com](http://www.vollrath.com)

The Vollrath Company, L.L.C.  
1236 North 18th Street  
Sheboygan, WI 53081-3201 U.S.A.  
Customer Service: 800.628.0830  
Canada Customer Service: 800.695.8560  
Main Fax: 800.752.5620 or

Technical Services: 800.628.0832  
Technical Services Fax:  
920.459.5462