



Outperform every day.™

Project:

Item Number:

Quantity:

## KNOCK DOWN ACRYLIC BAKERY CASES



KDC1418-2-06



KDC1418-3-06



KDC1418-4F-06

Knock Down Acrylic Bakery Cases

### ITEMS

KDC1418-2-06	2 Shelf, Front and Rear Doors
KDC1418-3-06	3 Shelf, Front and Rear Doors
KDC1418-4F-06	4 Shelf, Front Doors
KDC1418-4R-06	4 Shelf, Split Rear Door

### FEATURES

- Clear acrylic
- Trays (14" x 18" (35.6 x 45.7 cm)) are included
- Ships flat and assembles in minutes
- Individual self-serve front doors
- Split rear doors on KDC1418-4R-06 enable quick restocking
- Rubber feet reduce slippage

### ACCESSORIES

- TH-1 Tong, holder and tether

### DESCRIPTION

Vollrath's Knock Down Acrylic Bakery Cases are available in sizes and door configurations to fit any self-serve or attended serving station.

**WARRANTY:** All models shown come with Vollrath's standard warranty against defects in materials and workmanship. For full warranty details, please refer to [www.Vollrath.com](http://www.Vollrath.com).

Approvals	Date

Due to continued product improvement, please consult [www.vollrath.com](http://www.vollrath.com) for current product specifications.



Outperform every day.™  
[www.vollrath.com](http://www.vollrath.com)

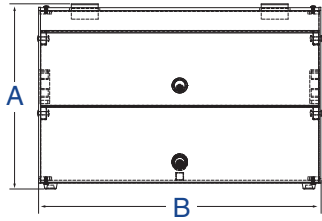
The Vollrath Company, L.L.C.  
1236 North 18th Street  
Sheboygan, WI 53081-3201 U.S.A.  
Customer Service: 800.628.0830  
Canada Customer Service: 800.695.8560  
Main Fax: 800.752.5620 or 920.459.6573

Technical Services: 800.628.0832  
Technical Services Fax: 920.459.5462

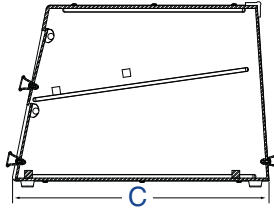
# KNOCK DOWN ACRYLIC BAKERY CASES

**DIMENSIONS** (Shown in inches (cm))

**KDC1418-2-06**

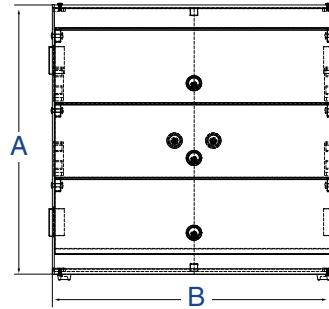


Front View

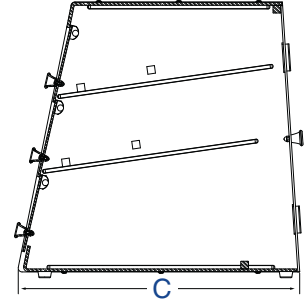


Side View

**KDC1418-3-06**

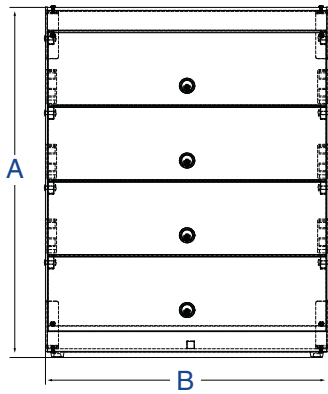


Front View

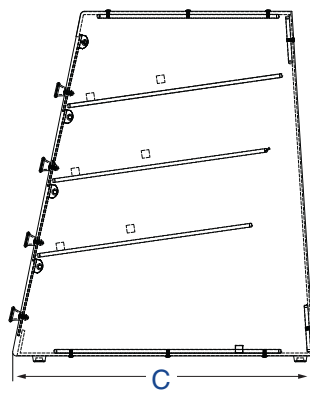


Side View

**KDC1418-4F-06**

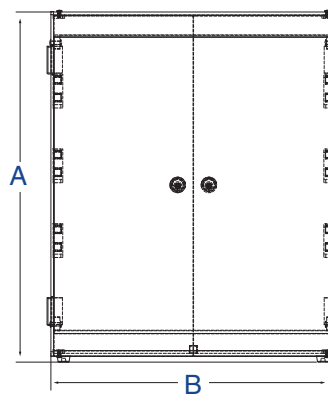


Front View

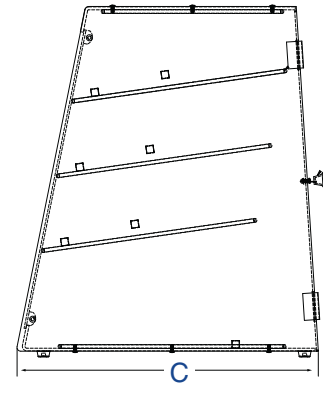


Side View

**KDC1418-4R-06**



Back View



Side View

Item No.	Description	Dimensions IN (CM)			Trays	Weight LB (KG)
		(A) Height	(B) Width	(C) Depth		
KDC1418-2-06	2 Shelf, Front and Rear Doors	12 (30.5)		16¼ (41.3)		15 (6.8)
KDC1418-3-06	3 Shelf, Front and Rear Doors	18 (45.7)	19 (48.3)	18¼ (46.4)	14 x 18 (35.6 x 45.7)	19 (8.6)
KDC1418-4F-06	4 Shelf, Front Doors	23 (58.4)		19½ (49.5)		25 (11.3)
KDC1418-4R-06	4 Shelf, Split Rear Door					



Outperform every day.™

[www.vollrath.com](http://www.vollrath.com)

The Vollrath Company, L.L.C.  
 1236 North 18th Street  
 Sheboygan, WI 53081-3201 U.S.A.  
 Customer Service: 800.628.0830  
 Canada Customer Service: 800.695.8560  
 Main Fax: 800.752.5620 or 920.459.6573

Technical Services: 800.628.0832  
 Technical Services Fax: 920.459.5462