



Project:

Item Number:

Quantity:

## CAYENNE® PIZZA/BAKE OVEN



Cayenne® Pizza/Bake Oven

### MODELS

40848 POA8002 Pizza Bake Oven

### FEATURES

- Stainless steel exterior and interior for durability and easy cleaning
- Oven supplied with two ceramic bake decks for crisp, even browning of crust and breads
- Fifteen-minute timer function
- Heat setting: 140° - 750° F (60° to 400° C)
- 4 ft. (1.2 m) cord with plug

### DESCRIPTION

Provide fresh baked pizzeria-style pizzas with this countertop version of a pizzeria deck oven. The even heat of the hearth stones and the higher temperature capability of this oven combine to make crisp, light, evenly-baked pizzas. Fresh hearth-baked pizzas create a distinct presentation and command a higher price than pizzas made in a countertop wire rack pizza oven.

**WARRANTY:** All models shown come with Vollrath's standard warranty against defects in materials and workmanship. For full warranty details, please refer to the Vollrath Equipment and Smallwares Catalog.

### AGENCY CERTIFICATIONS



Due to continued product improvement, please consult [www.vollrathco.com](http://www.vollrathco.com) for current product specifications.

Approvals	Date



Setting the Standard™

[www.vollrathco.com](http://www.vollrathco.com)

The Vollrath Company, L.L.C.  
 1236 North 18th Street  
 Sheboygan, WI 53081-3201 U.S.A.  
 Customer Service: 800.628.0830  
 Canada Customer Service: 800.695.8560  
 Main Fax: 800.752.5620 or 920.459.6573

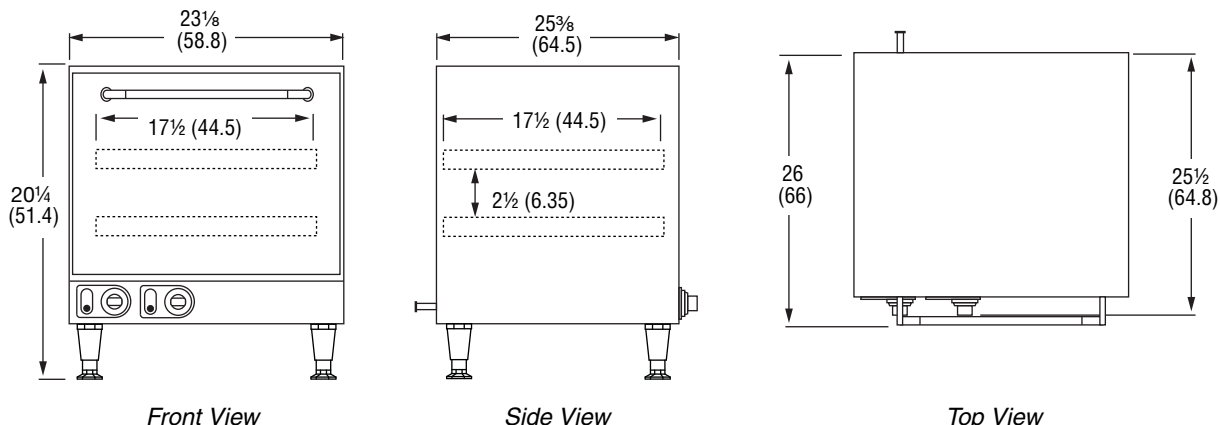
Technical Services: 800.628.0832  
 Technical Services Fax: 920.459.5462

# CAYENNE® PIZZA/BAKE OVEN

**MODELS** 40848 POA8002 Pizza Bake Oven

## DIMENSIONS

Dimensions shown in inches (cm).



## SPECIFICATIONS

Item	Cooking Chamber Size			Voltage	Watts	Amps	Ship Weight lb (kg)	Plug
	Width	Depth	Height					
40848	18 1/2 (47)	19 3/16 (48.7)	9 7/16 (23.9)	208-240 AC	2100 - 2800	12	90 (40.8)	6-15P

### Receptacle

