



Outperform every day.™

Project:
Item Number:
Quantity:

PROFESSIONAL SERIES COUNTERTOP INDUCTION RANGES



Professional Series Countertop Induction Ranges

DESCRIPTION

These high-efficiency, heavy-duty commercial countertop induction ranges are designed for use in commercial kitchens and front-of-the-house cooking. They provide sensitive low-end control for cooking sauces, milks and chocolates as well as fast, high temperature cooking.

The case is made from 18-gauge 304 stainless steel with a vitro ceramic top. The ceramic top is easily cleaned with a mild cleaner.

The induction range is equipped with a variety of safety features including:

- Over-heat protection
- Small-article detection
- Pan auto-detection function
- Empty-pan shut-off

Item No. Description

- 6954301 Single Hob Countertop (US/Canada)
- 69520 Single Hob Countertop (US/Canada)
- 69522 Dual Hob Countertop – Front to Back (US/Canada)
- 69523 Dual Hob Countertop – Side to Side (US/Canada)

FEATURES

- G4 engine for long life
- 100 settings for precise cooking control – set to power level or temperature setting
- 90% efficiency rating
- Continuous duty induction circuitry for non-stop cooking
- Firewall protected circuitry with oversized fans and 18 gauge heavy-duty 18-8 stainless steel casing
- 1-180 minute timer – unit shuts off at end of cycle
- Digital display is easy to clean – no knobs to collect food and it helps prevent accidental temperature changes
- "HOT" warning display for safety
- FCC Part 18 Approved
- Units come complete with 6' (183 cm) cord and plug and do not require hard wiring
- Rubber feet to prevent slipping of appliance
- Full two-year parts and labor warranty

IMPORTANT

- This appliance is intended for use with induction-ready cookware.
- All models require unrestricted intake and exhaust air ventilation for proper operation of the controls. The maximum intake temperature must not exceed 110°F (43°C). Temperatures are measured in ambient air while all appliances in the kitchen are in operation.
- Countertop models require a minimum clearance of 4 inches (10.2 cm) at the rear and 1 inch (2.5 cm) at the bottom.

Agency Listings



This device complies with Part 18 FCC Rules.

WARRANTY: All models shown come with Vollrath's standard warranty against defects in materials and workmanship. For full warranty details, please refer to www.Vollrath.com.

Due to continued product improvement, please consult www.vollrath.com for current product specifications.

Approvals	Date



Outperform every day.™
www.vollrath.com

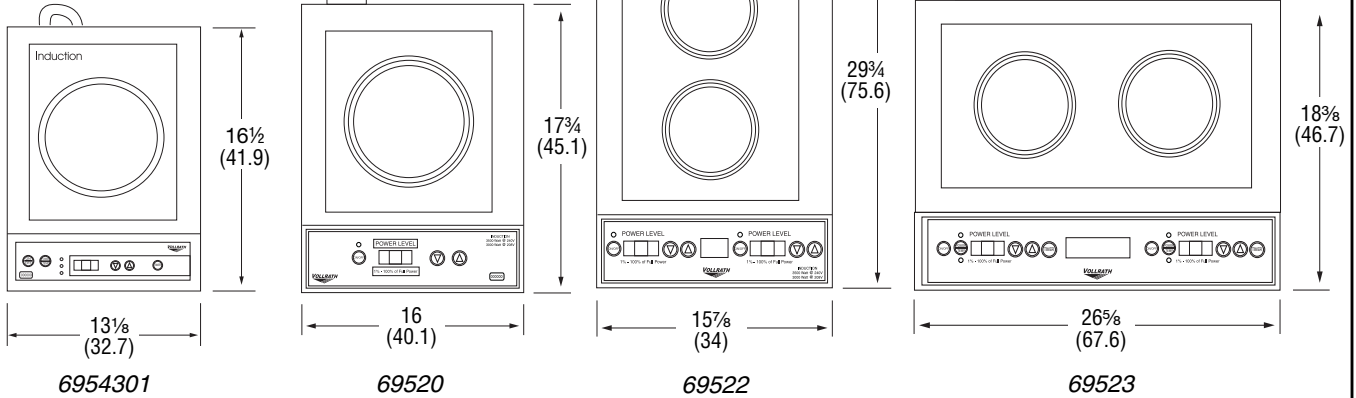
The Vollrath Company, L.L.C.
1236 North 18th Street
Sheboygan, WI 53081-3201 U.S.A.
Customer Service: 800.628.0830
Canada Customer Service: 800.695.8560
Main Fax: 800.752.5620 or 920.459.6573

Technical Services: 800.628.0832
Technical Services Fax: 920.459.5462

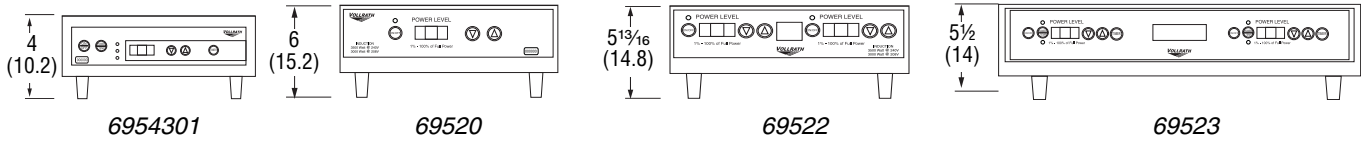
PROFESSIONAL SERIES COUNTERTOP INDUCTION RANGES

DIMENSIONS (Shown in inches (cm))

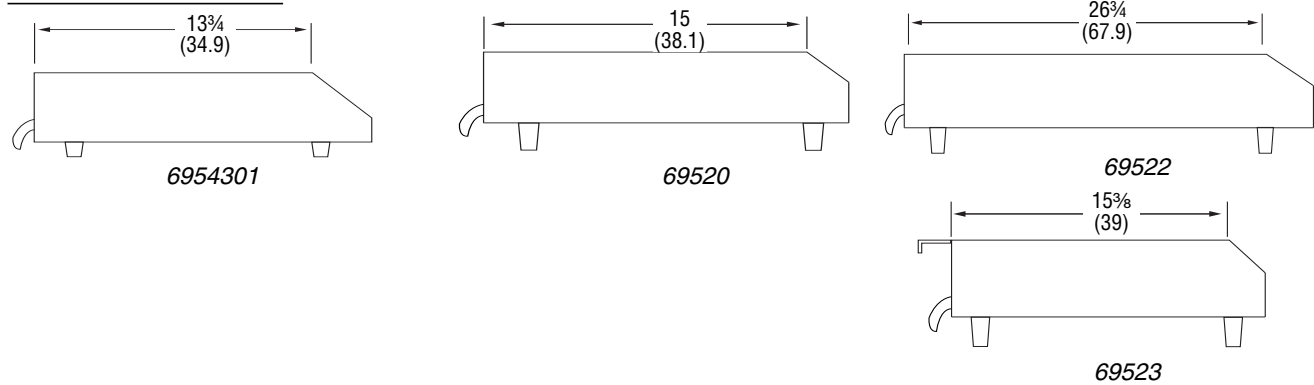
Top Views



Front Views



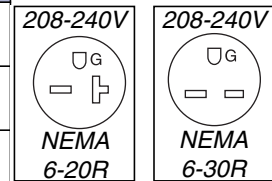
Side Views



SPECIFICATIONS

Item No.	Description	Max Pan Size	Voltage	Watts	Amps	Plug	Shipping Container	Shipping Weight
6954301	Single Hob	14 (35.6)	208 - 240	2250-2600	10.8	NEMA 6-20P	16 x 21 x 7 (40.6 x 53.3 x 17.8)	17.4 (7.9)
69520				2500 - 2900	12.1		19 x 24 x 9 (48.3 x 61 x 22.9)	26 (11.7)
69522	Dual Hob, Front to Back	12 (30.5)	208 - 240	2500 - 2900 Per Hob	24.1	NEMA 6-30P	23 ³ / ₈ x 33 x 10 (59.4 x 83.8 x 25.4)	42.8 (19.4)
69523	Dual Hob, Side by Side							

Receptacles



Outperform every day.™

www.vollrath.com

The Vollrath Company, L.L.C.
1236 North 18th Street
Sheboygan, WI 53081-3201 U.S.A.
Customer Service: 800.628.0830
Canada Customer Service: 800.695.8560
Main Fax: 800.752.5620 or 920.459.6573

Technical Services: 800.628.0832
Technical Services Fax: 920.459.5462