



Outperform every day.™

Project:

Item Number:

Quantity:

## ULTRA SERIES DROP-IN INDUCTION RANGES



Ultra Series Drop-in Induction Ranges

### DESCRIPTION

These high-efficiency, heavy-duty commercial drop-in induction ranges are designed for use in commercial kitchens and front-of-the-house cooking. They provide sensitive low-end control for cooking sauces, milks and chocolates as well as fast, high temperature cooking.

The case is made from 18-gauge 304 stainless steel with a vitro ceramic top. The ceramic top is easily cleaned with a mild cleaner.

The induction range is equipped with a variety of safety features including:

- Over-heat protection
- Small-article detection
- Pan auto-detection function
- Empty-pan shut-off

### Agency Listings



This device complies with Part 18 FCC Rules.

### MODELS

- 69505 Single Hob – NEMA 6-20P Plug
- 6950502 Single Hob – Schuko CEE7-7 Plug
- 6950503 Single Hob – UK2-15 (BS546) Plug
- 6950505 Single Hob – AU2-15P Plug
- 69508 Dual Hob, Front to Back – NEMA 6-50P Plug

### FEATURES

- G4 engine for long life
- 100 power settings for precise cooking control
- Controlled high-end temperatures for saute, stir fry, stock pot and sauce pot applications
- Sensitive low-end control for cooking delicate sauces, cremes, and chocolates
- Continuous duty induction circuitry for non-stop cooking
- 90% efficiency rating
- Double oversized fans for longer life
- Digital display is easy to clean – no knobs to collect food and helps prevent accidental temperature changes
- Sloped control panel for runoff of liquid spills
- "HOT" warning display for safety
- Rubber feet to prevent slipping of appliance
- FCC Part 18 Approved
- Units come with 6' (183 cm) cord and plug and do not require hard wiring
- Two-year parts and labor warranty

### IMPORTANT

- This appliance is intended for use with induction-ready cookware.
- All models require unrestricted intake and exhaust air ventilation for proper operation of the controls. The maximum intake temperature must not exceed 110°F (43°C). Temperatures are measured in ambient air while all appliances in the kitchen are in operation.
- Drop-in models require a minimum clearance of 3 inches (7.6 cm) at the rear and 1 inch (2.5 cm) at the bottom.

**WARRANTY:** All models shown come with Vollrath's standard warranty against defects in materials and workmanship. For full warranty details, please refer to the Vollrath Equipment and Smallwares Catalog.

Approvals	Date

Due to continued product improvement, please consult [www.vollrath.com](http://www.vollrath.com) for current product specifications.

The Vollrath Company, L.L.C.  
 Headquarters  
 1236 North 18th Street  
 Sheboygan, Wisconsin  
 53081-3201 USA  
 Tel: 800-624-2051 or  
 920-457-4851  
 Main Fax: 800-752-5620 or  
 920-459-6573  
[www.vollrath.com](http://www.vollrath.com)

Vollrath Europe BV  
 Beneluxbaan 7  
 5121 AD RIJEN  
 The Netherlands  
 +31161870005

Vollrath of China  
 Vollrath Shanghai Trading Limited  
 23A, Time Square Plaza | 500  
 Zhang Yang Road  
 Pudong, Shanghai 200122  
 Tel: 86-21-50589580

Vollrath de Mexico S. de R.L. de C.V.  
 Periferico Sur No. 7980 Edificio 4-E  
 Col. Santa Maria Tequepexpan  
 45600 Tlaquepaque, Jalisco | Mexico  
 Tel: (52) 333-133-6767  
 Tel: (52) 333-133-6769  
 Fax: (52) 333-133-6768

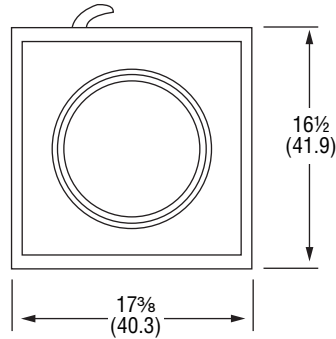
# ULTRA SERIES DROP-IN INDUCTION RANGES

<b>MODELS</b> 69505	Single Hob – NEMA 6-20P Plug	6950505	Single Hob – AU2-15P Plug
6950502	Single Hob – Schuko CEE7-7 Plug	69508	Dual Hob, Front to Back – NEMA 6-50P Plug
6950503	Single Hob – UK2-15 (BS546) Plug		

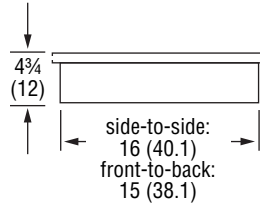
## DIMENSIONS

Shown in inches (cm).

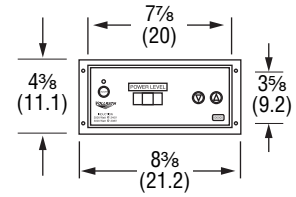
69505 / 6950502 / 6950503 / 6950505



Top View

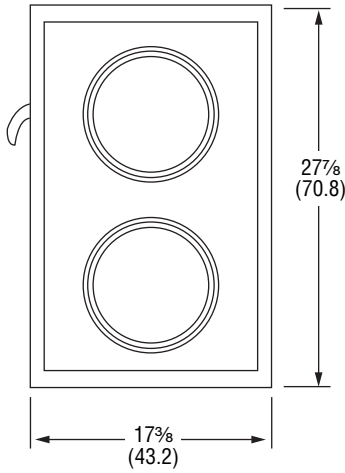


Side View

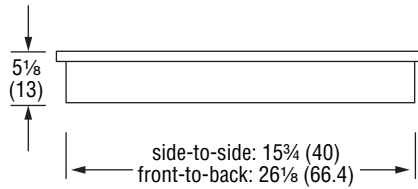


Control

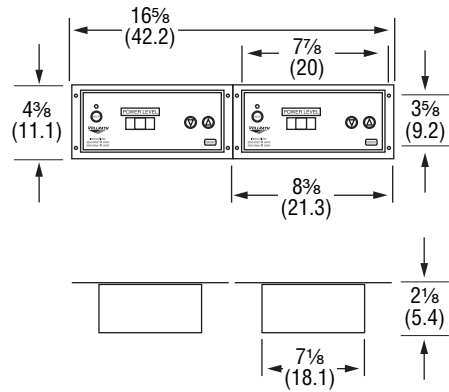
69508



Top View



Side View

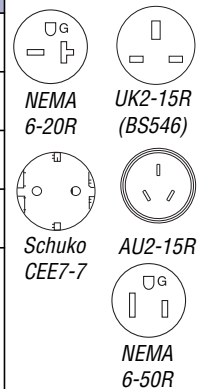


Control

## SPECIFICATIONS

Model	Max Pan Size	Drop-in Cutout	Control Cutout	Voltage (AC)	KW	Amps	Wall/Supply Side Plug	Shipping Container	Shipping Weight
69505	14 (35.6)	16 1/8 x 15 1/8 (40.9 x 38.4)	7 1/4 x 3 7/8 (18.4 x 9.8)	208-240	3.0-3.5	14.6	NEMA 6-20P	25 x 19 x 9 (63.5 x 48.3 x 22.9)	27 (12.2)
6950502	14 (35.6)	16 1/8 x 15 1/8 (40.9 x 38.4)	7 1/4 x 3 7/8 (18.4 x 9.8)	208-240	3.0-3.5	14.6	Schuko CEE7-7	25 x 19 x 9 (63.5 x 48.3 x 22.9)	27 (12.2)
5950503	14 (35.6)	16 1/8 x 15 1/8 (40.9 x 38.4)	7 1/4 x 3 7/8 (18.4 x 9.8)	208-240	3.0-3.5	14.6	UK2-15P (BS546)	25 x 19 x 9 (63.5 x 48.3 x 22.9)	27 (12.2)
6950505	14 (35.6)	16 1/8 x 15 1/8 (40.9 x 38.4)	7 1/4 x 3 7/8 (18.4 x 9.8)	208-240	3.0-3.5	14.6	AU2-15P	25 x 19 x 9 (63.5 x 48.3 x 22.9)	27 (12.2)
69508	12 (30.5)	26 3/8 x 15 7/8 (67 x 40.3)	7 1/4 x 3 7/8 (x 2) (18.4 x 9.8) (x 2) Two control boxes. Minimum spacing is 16.2 (42.2)	208-240	3.0-3.5 Per Hob	29.2	NEMA 6-50P	35 x 21 x 9 (53.3 x 88.9 x 22.9)	43 (19.5)

## Receptacles



The Vollrath Company, L.L.C.  
Headquarters  
1236 North 18th Street  
Sheboygan, Wisconsin  
53081-3201 USA  
Tel: 800-624-2051 or  
920-457-4851  
Main Fax: 800-752-5620 or  
920-459-6573  
www.vollrath.com

Vollrath Europe BV  
Beneluxbaan 7  
5121 AD RIJEN  
The Netherlands  
+31161870005

Vollrath of China  
Vollrath Shanghai Trading Limited  
23A, Time Square Plaza | 500  
Zhang Yang Road  
Pudong, Shanghai 200122  
Tel: 86-21-50589580

Vollrath de Mexico S. de R.L. de C.V.  
Periferico Sur No. 7980 Edificio 4-E  
Col. Santa Maria Tequepexpan  
45600 Tlaquepaque, Jalisco | Mexico  
Tel: (52) 333-133-6767  
Tel: (52) 333-133-6769  
Fax: (52) 333-133-6768