



Outperform every day.™

Project:

Item Number:

Quantity:

SIGNATURE SERVER® CURVED BASES WITH LAMINATE OR CORIAN® COUNTERS



Signature Server® Curved Bases with Laminate or Corian® Counters

DESCRIPTION

Vollrath's Signature Server® bases are easy to design, specify, and order. Choose from laminate and solid surface counters to create your own style or match any décor. Select our highest quality drop-ins and breath guards to complete your line-up, along with accessories such as signage, menu board, plate rests, and tray slides.

Note: Signature Server orders cannot be cancelled or returned.

ITEMS

- 97330 3 Well Hot Base
- 97340 4 Well Hot Base
- 97350 5 Well Hot Base
- 97347 3 Well Hot Bain Marie
- 97357 4 Well Hot Bain Marie
- 97367 5 Well Hot Bain Marie
- 97346 3 Well NSF7 Cold Base
- 97366 4 Well NSF7 Cold Base
- 97376 5 Well NSF7 Cold Base
- 97345 3 Pan Standard Refrigerated Base
- 97365 4 Pan Standard Refrigerated Base
- 97375 5 Pan Standard Refrigerated Base
- 97343 3 Pan Non-Refrigerated Base
- 97360 4 Pan Non-Refrigerated Base
- 97370 5 Pan Non-Refrigerated Base
- 97391 81" Utility Base
- 97392 97" Utility Base
- 97393 107" Utility Base
- 97312 81" Frost Top Base
- 97313 97" Frost Top Base
- 97314 107" Frost Top Base

FEATURES

- Bases constructed from 400 series stainless steel
- Base finishes include laminates, brushed stainless steel, or printed graphics on vinyl
- Standard 34" (86.4 cm) height complies with ADA guidelines
- Dial controls
- Stainless steel corner trim
- 8 ft. (2.4 m) power cord
- Heavy-duty 4" (10.2 cm) swivel locking casters

OPTIONS

- Hundreds of countertop colors in laminate or solid surface material
- Tray slides or plate rests for easy customer access
- Dozens of breath guard styles
- End shelf, cutting boards, storage modules, bag in box, false bottoms and stationary legs
- Lights and Cayenne® Heat Strips
- 120V, 208V, 240V, 120/240V, 120/208V

See Breath Guard and Accessories spec sheets on vollrath.com for selection information.

WARRANTY: All models shown come with Vollrath's standard warranty against defects in materials and workmanship. For full warranty details, please refer to www.Vollrath.com.

Agency Certification



Due to continued product improvement, please consult www.vollrath.com for current product specifications.

Approvals	Date



Outperform every day.™
www.vollrath.com

The Vollrath Company, L.L.C.
1236 North 18th Street
Sheboygan, WI 53081-3201 U.S.A.
Customer Service: 800.628.0830
Canada Customer Service: 800.695.8560
Main Fax: 800.752.5620 or 920.459.6573

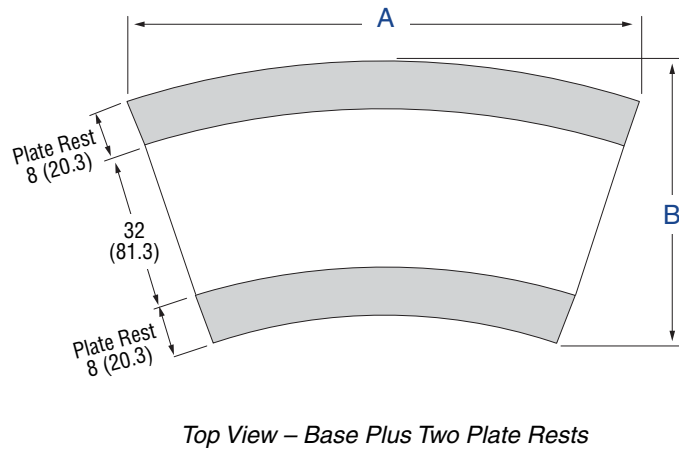
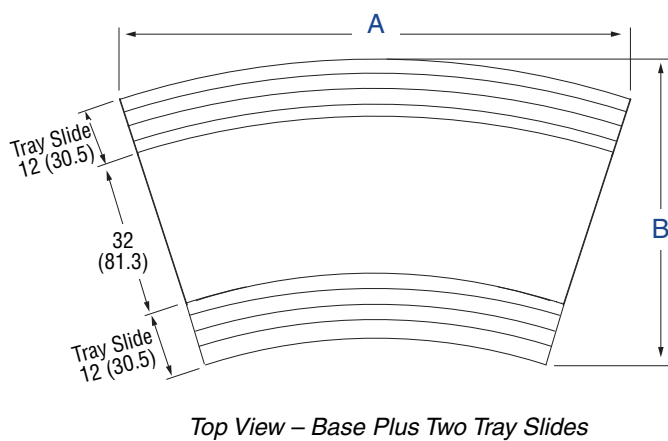
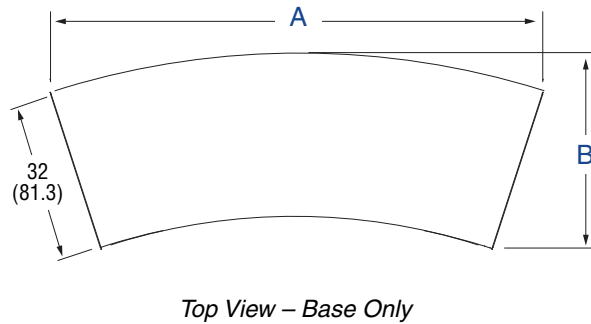
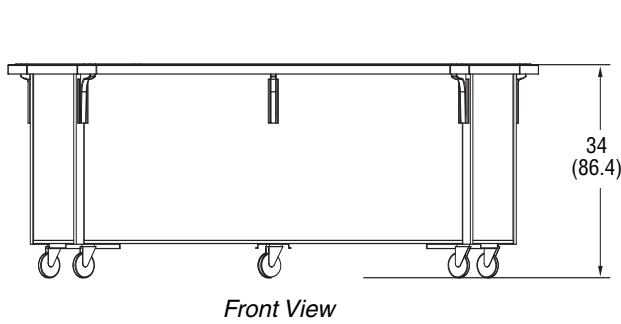
Technical Services: 800.628.0832
Technical Services Fax: 920.459.5462

Signature Server® Curved Bases with Laminate or Corian® Counters

The Vollrath Company, L.L.C.

SIGNATURE SERVER® CURVED BASES WITH LAMINATE OR CORIAN® COUNTERS

DIMENSIONS (Shown in inches (cm))



For breath guard and accessory dimensions, see the breath guard and accessory spec sheets on vollrath.com

Bases	Base		Base With Two Plate Rests		Base With Two Tray Slides	
	(A) Length	(B) Width	(A) Length	(B) Width	(A) Length	(B) Width
3 Well/Pan Base	81 (206)	36 (91)	85½ (217.2)	52¼ (132.7)	87½ (222.3)	60 (152.4)
4 Well/Pan Base	97 (246)	38 (97)	102 (259.1)	54 (137.2)	104½ (265.4)	61¾ (156.8)
5 Well/Pan Base	107 (272)	40 (102)	113 (287)	55⅝ (140.5)	115¾ (294)	63 (160)
81" Utility*/Frost Top Base	81 (206)	36 (91)	85½ (217.2)	52¼ (132.7)	87½ (222.3)	60 (152.4)
97" Utility*/Frost Top Base	97 (246)	38 (97)	102 (259.1)	54 (137.2)	104½ (265.4)	61¾ (156.8)
107" Utility*/Frost Top Base	107 (272)	40 (102)	113 (287)	55⅝ (140.5)	115¾ (294)	63 (160)

*Standard construction Utility Station base with stainless steel countertop has a maximum load capacity of 250 LB (113.4 KG). Contact Vollrath for construction options to support heavier loads.



Outperform every day.™

www.vollrath.com

The Vollrath Company, L.L.C.
 1236 North 18th Street
 Sheboygan, WI 53081-3201 U.S.A.
 Customer Service: 800.628.0830
 Canada Customer Service: 800.695.8560
 Main Fax: 800.752.5620 or 920.459.6573

Technical Services: 800.628.0832
 Technical Services Fax: 920.459.5462