



Project:

Item Number:

Quantity:

COMMERCIAL COUNTERTOP INDUCTION RANGE



Commercial Countertop Induction Range

DESCRIPTION

The portable countertop induction range is designed for use in light to medium-duty front-of-the-house cooking. Model 6950020 will plug into standard 15A outlets which are readily available in most restaurants and kitchens.

The case frame is made from 18-gauge stainless steel with a ceramic top. The ceramic top is easily cleaned with a mild cleaner.

The induction range is equipped with a variety of safety features including:

- Over-heat protection
- Small-article detection
- Pan auto-detection function
- Empty-pan shut-off
- Safety auto-shut-off function

Agency Listings – Model 6950020



This device complies with Part 18 FCC Rules.

Agency Listings – Model 6951020



This device complies with Part 18 FCC Rules.

Due to continued product improvement, please consult www.vollrathco.com for current product specifications.

MODELS

6950020 1.8 kW, 120V (US Only)

6951020 1.4 kW, 120V (Canada Only)

FEATURES

- 9 heating levels with optimum power output to different pans
- 7 temperature holding positions
- 90% efficiency rating
- ETL approval on all models
- Easy to read LED bar for power level
- Stainless steel case and ceramic top
- Sloped control panel for runoff of liquid spills
- Push button controls for easy cleaning
- Warming function to maintain preset temperatures
- Rubber feet to prevent slipping of appliance
- Unit comes complete with a 6 ft. (183 cm) with cord and plug and does not require hard wiring
- Full one-year parts and labor warranty

IMPORTANT

- This appliance is intended for use with induction-ready cookware.
- All models require unrestricted intake and exhaust air ventilation for proper operation of the controls. The maximum intake temperature must not exceed 110°F (43°C). Temperatures are measured in ambient air while all appliances in the kitchen are in operation.
- Countertop models require a minimum clearance of 4 inches (10.2 cm) at the rear and 1 inch (2.5 cm) at the bottom.

WARRANTY: All models shown come with Vollrath's standard warranty against defects in materials and workmanship. For full warranty details, please refer to the Vollrath Equipment and Smallwares Catalog.

Approvals	Date



Setting the Standard™

www.vollrathco.com

The Vollrath Company, L.L.C.
1236 North 18th Street
Sheboygan, WI 53081-3201 U.S.A.
Customer Service: 800.628.0830
Canada Customer Service: 800.695.8560
Main Fax: 800.752.5620 or 920.459.6573

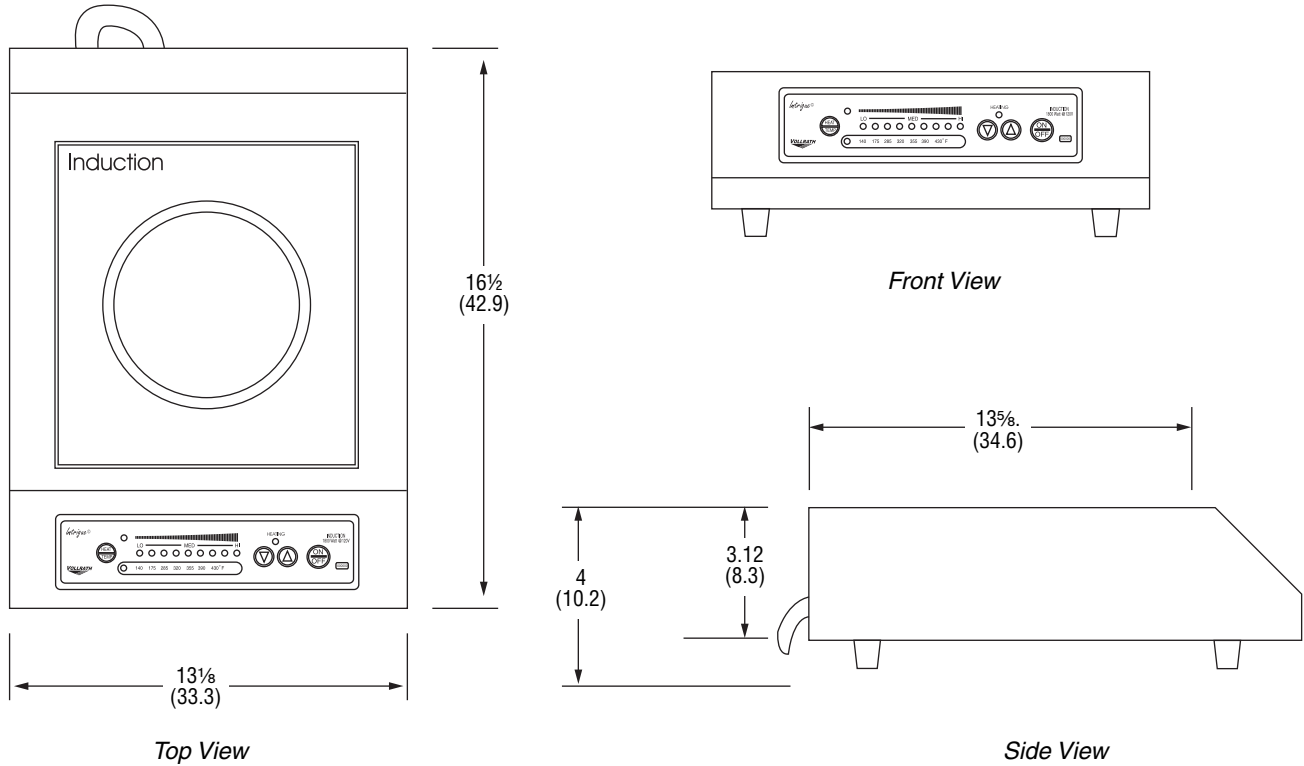
Technical Services: 800.628.0832
Technical Services Fax: 920.459.5462

COMMERCIAL COUNTERTOP INDUCTION RANGE

MODELS 6950020 1.8 kW, 120V (US Only)
6951020 1.4 kW, 120V (Canada Only)

DIMENSIONS

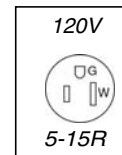
Dimensions shown in inches (cm).



SPECIFICATIONS – 1 PHASE, 60 HZ

Model	Max Pan Size	kW Rating	Volts	Nominal Amps	Plug	Weight	Shipping Weight	Shipping Dimensions
6950020	14 (35.6)	1.8 kW	120V AC	15	5-15P	14 (6.3)	16 (17.3)	17.8 x 21 1/2 x 8.8 (45.2 x 54.6 x 22.4)
6951020	14 (35.6)	1.4 kW	120V AC	12	5-15P	14 (6.3)	16 (17.3)	17.8 x 21 1/2 x 8.8 (45.2 x 54.6 x 22.4)

Receptacle



www.vollrathco.com

The Vollrath Company, L.L.C.
1236 North 18th Street
Sheboygan, WI 53081-3201 U.S.A.
Customer Service: 800.628.0830
Canada Customer Service: 800.695.8560
Main Fax: 800.752.5620 or 920.459.6573

Technical Services: 800.628.0832
Technical Services Fax: 920.459.5462