



Outperform every day.™

Project:

Item Number:

Quantity:

WALL-MOUNT HAND SINKS



1410-0C



K1410-CP



1411
faucet not included

Wall-Mount Hand Sinks

DESCRIPTION

Vollrath Wall-Mount Hand Sinks are designed and built to withstand vigorous use in professional and commercial kitchens.

MODELS

- 141-0 2-Hole Sink
- 141-0C 2-Hole Sink with Strainer
- K1410-C 2-Hole Sink with Strainer and Gooseneck Faucet
- K1410-CP 2-Hole Sink with Strainer, Gooseneck Faucet and P-Trap
- 1411 1-Hole Sink for use with Electronic Mixing Faucet (not included)
- 1410-0 2-Hole Sink with Splash Guards
- 1410CS 2-Hole Sink with Splash Guards and Strainer
- K1410CS 2-Hole Sink with Splash Guards, Strainer and Gooseneck Faucet

FEATURES

- Heavy-weight 20 gauge
- Type 304 stainless steel
- Brushed finish flange
- High back splash
- One-piece drawn bowl
- Positive drain - 2 inch diameter
- Two holes on 4 inch centers, except 1411
- Single hole on 1411 to accommodate electronic mixing faucet
- Optional Splash Mounted AB1953 Lead Free Compliant – Full Brass Body

ACCESSORIES (NOT NSF OR CSA)

- 2613 - Gooseneck faucet
- 2004 - Repair kit for 2613 faucet
- 7466 - Strainer for 2" (5.1) drain
- 1410P - P-trap for 2" (5.1) drain
- 14110T - 4" (10.2) flanged tail piece

WARRANTY: All models shown come with Vollrath's standard warranty against defects in materials and workmanship. For full warranty details, please refer to the Vollrath Equipment and Smallwares Catalog.

Agency Listings



Sink bowl and faucets



141-0 and 1410-0

1411

141-0 and 1410-0 sinks

Due to continued product improvement, please consult www.vollrath.com for current product specifications.

Approvals

Date

--	--



Outperform every day.™

www.vollrath.com

The Vollrath Company, L.L.C.
1236 North 18th Street
Sheboygan, WI 53081-3201 U.S.A.
Customer Service: 800.628.0830
Canada Customer Service: 800.695.8560
Main Fax: 800.752.5620 or 920.459.6573

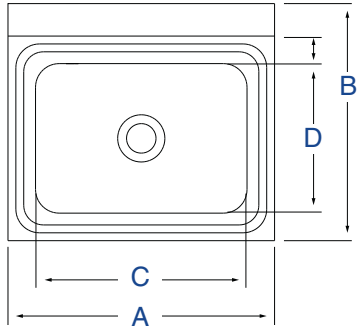
Technical Services: 800.628.0832
Technical Services Fax: 920.459.5462

WALL-MOUNT HAND SINKS

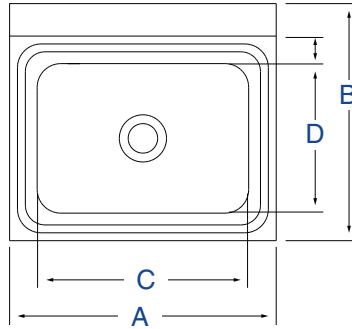
DIMENSIONS (shown in inches (cm))

141-0 / 141-0C / K1410-C / K1410-CP /
1410-0 / 1410CS / K1410CS

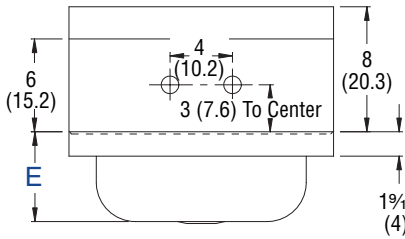
1411



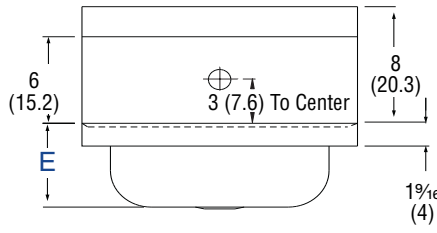
Top View



Top View



Front View



Front View

SPECIFICATIONS

Model	Description	Overall Dimension (A x B)	Bowl Diameter (C x D)	Bowl Depth (E)	Drain Dia.	Gauge	Case Lot	Case Weight Lb (Kg)
141-0	2-Hole Sink	17 x 15 (43.2 x 38.1)	13 ⁹ / ₁₆ x 9 ⁹ / ₁₆ (24.3 x 34.4)	5 ¹ / ₂ (14)	2 (5.1)	20	1	10 (4.5)
141-0C	2-Hole Sink with Strainer	17 x 15 (43.2 x 38.1)	13 ⁹ / ₁₆ x 9 ⁹ / ₁₆ (24.3 x 34.4)	5 ¹ / ₂ (14)	2 (5.1)	20	1	10.5 (4.8)
K1410-C	2-Hole Sink with Strainer and Gooseneck Faucet	17 x 15 (43.2 x 38.1)	13 ⁹ / ₁₆ x 9 ⁹ / ₁₆ (24.3 x 34.4)	5 ¹ / ₂ (14)	2 (5.1)	20	1	12.6 (5.7)
K1410-CP	2-Hole Sink with Strainer, Gooseneck Faucet and P-Trap	17 x 15 (43.2 x 38.1)	13 ⁹ / ₁₆ x 9 ⁹ / ₁₆ (24.3 x 34.4)	5 ¹ / ₂ (14)	2 (5.1)	20	1	14 (6.4)
1411	1-Hole Sink for use with Electronic Mixing Faucet (not included)	17 x 15 (43.2 x 38.1)	13 ⁹ / ₁₆ x 9 ⁹ / ₁₆ (24.3 x 34.4)	5 ¹ / ₂ (14)	2 (5.1)	20	1	10 (4.5)
1410-0	2-Hole Sink with Splash Guards	17 x 15 (43.2 x 38.1)	13 ⁹ / ₁₆ x 9 ⁹ / ₁₆ (24.3 x 34.4)	5 ¹ / ₂ (14)	2 (5.1)	20	1	14.5 (6.6)
1410CS	2-Hole Sink with Splash Guards and Strainer	17 x 15 (43.2 x 38.1)	13 ⁹ / ₁₆ x 9 ⁹ / ₁₆ (24.3 x 34.4)	5 ¹ / ₂ (14)	2 (5.1)	20	1	15 (6.8)
K1410CS	2-Hole Sink with Splash Guards, Strainer and Gooseneck Faucet	17 x 15 (43.2 x 38.1)	13 ⁹ / ₁₆ x 9 ⁹ / ₁₆ (24.3 x 34.4)	5 ¹ / ₂ (14)	2 (5.1)	20	1	17.6 (8)



Outperform every day.™

www.vollrath.com

The Vollrath Company, L.L.C.
1236 North 18th Street
Sheboygan, WI 53081-3201 U.S.A.
Customer Service: 800.628.0830
Canada Customer Service: 800.695.8560
Main Fax: 800.752.5620 or 920.459.6573

Technical Services: 800.628.0832
Technical Services Fax: 920.459.5462