

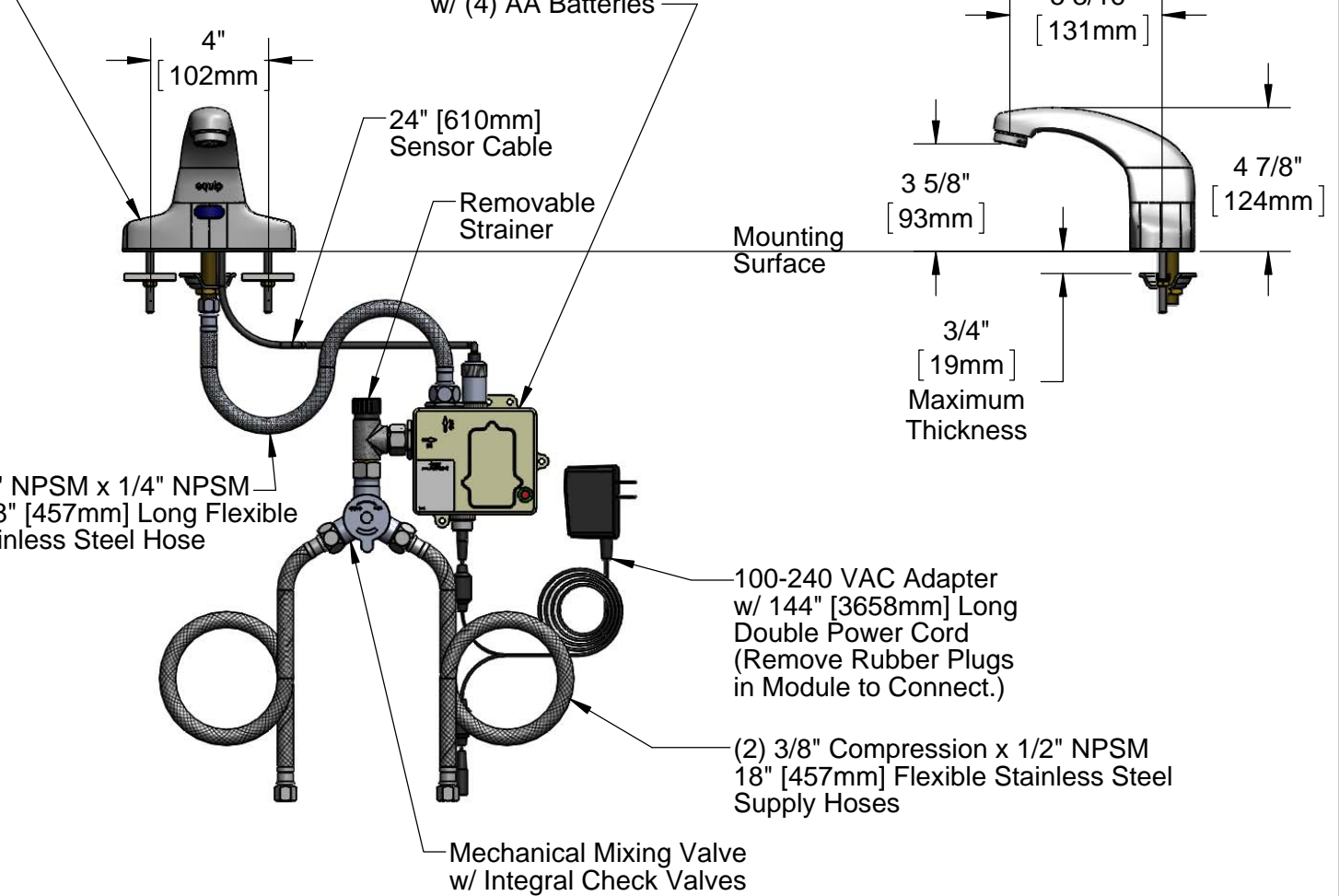
**ADA Compliant**

*This Space for Architect/Engineer Approval*

Job Name \_\_\_\_\_ Date \_\_\_\_\_  
 Model Specified \_\_\_\_\_ Quantity \_\_\_\_\_  
 Customer/Wholesaler \_\_\_\_\_  
 Contractor \_\_\_\_\_  
 Architect/Engineer \_\_\_\_\_

Polish Chrome Plated  
 Cast Spout w/ 2.2 GPM  
 Vandal Resistant  
 Aerator & Key

3 5/8" x 4 3/16" x 2" Deep  
 [92mm x 106mm x 51mm]  
 Water Resistant Control Module  
 Box (White), AC or DC Operated  
 w/ (4) AA Batteries



**Rough-In Requirement:**

- (1)  $\varnothing$  1" [25mm] Center Shank Mounting Hole
- (2)  $\varnothing$  1/2" [13mm] Mounting Stud Holes on 4" [102mm] Centers

Model Number <h2 style="text-align: center; margin: 0;">5EF-2D-DS</h2>	Product Specifications: <p style="text-align: center; margin: 0;"><b>Electronic Faucet: 4" Deck Mount Cast Spout Faucet, AC-DC Control Module, Temperature Control Mixing Valve, Integral Check Valves &amp; (2) 18" Flexible Supply Hoses</b></p>
---	---

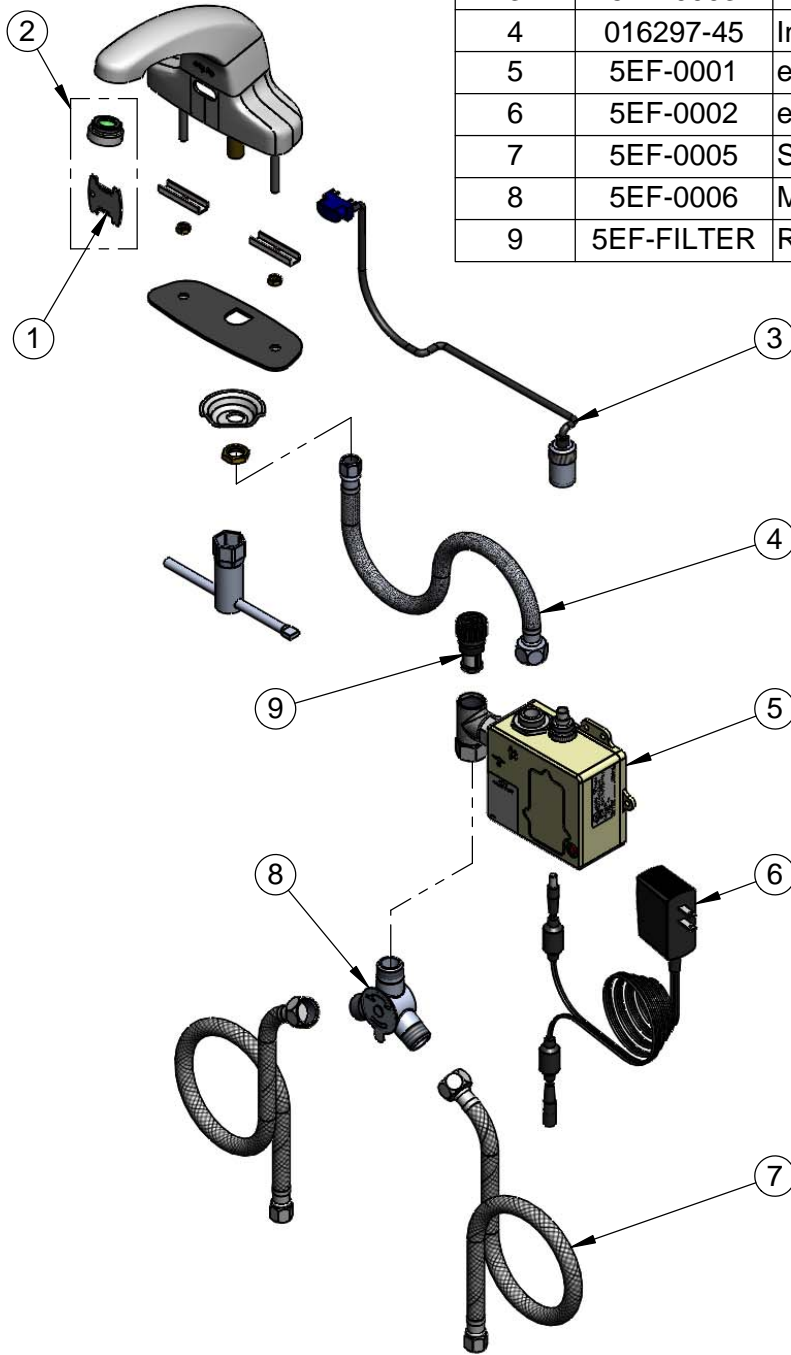
Product Compliance: ASME A112.18.1 / CSA B125.1 NSF 61 - Section 9 NSF 372 (Low Lead Content) ANSI A117.1 (ADA) UL 1951
--

equip  
Foodservice  
Accessories

by

2 Saddleback Cove, P.O. Box 1088  
 Travelers Rest, South Carolina 29690  
 Phone: 800.891.4808 Fax: 800.868.0084  
 equip.tsbrass.com

ITEM NO.	SALES NO.	DESCRIPTION
1	015425-45	Vandal Resistant Key
2	B-0199-09	Vandal Resistant 2.2 GPM Aerator
3	5EF-0003	24" Sensor Cable
4	016297-45	Inlet Hose, Faucet, 1/2" NPSM-F x 1/4" NPSM-F
5	5EF-0001	equip Sensor Faucet - Control Module
6	5EF-0002	equip AC Transformer, 100-240 VAC
7	5EF-0005	Supply Hose, 9/16-24 Female x 1/2" NPSM
8	5EF-0006	Mechanical Mixing Valve
9	5EF-FILTER	Replacement Filter



Model Number

**5EF-2D-DS**

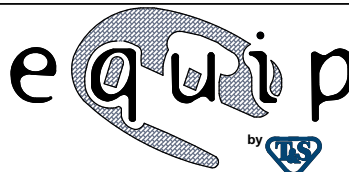
Product Specifications:

Electronic Faucet: 4" Deck Mount Cast Spout Faucet,  
AC-DC Control Module, Temperature Control Mixing Valve,  
Integral Check Valves & (2) 18" Flexible Supply Hoses

Product Compliance:

ASME A112.18.1 / CSA B125.1  
NSF 61 - Section 9  
NSF 372 (Low Lead Content)  
ANSI A117.1 (ADA)  
UL 1951

equip  
Foodservice  
Accessories



2 Saddleback Cove, P.O. Box 1088  
Travelers Rest, South Carolina 29690  
Phone: 800.891.4808 Fax: 800.868.0084  
equip.tsbrass.com