



ADA Compliant

This Space for Architect/Engineer Approval

Job Name _____ Date _____

Model Specified _____ Quantity _____

Customer/Wholesaler _____

Contractor _____

Architect/Engineer _____

Swivel Gooseneck w/
2.2 GPM [8.3 LPM]
Vandal Resistant Aerator & Key.
Rigid Conversion Requires
017421-45 Lock Washer
(Included)

30" [762mm] Long
Flexible Stainless
Steel Hose Between
Shank & Control
Module

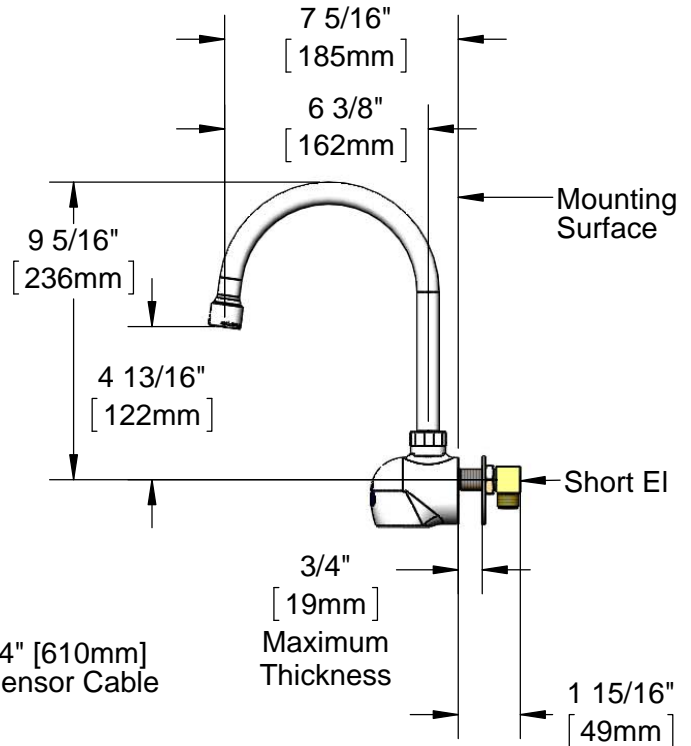
Removable
Strainer

Mechanical Mixing
Valve w/ Integral
Check Valves

(2) 18" [457mm]
Flexible Stainless
Steel Supply Hoses.
1/2" NPSM Female
x 3/8" Compression
Female

3 5/8" x 4 3/16" x 2" Deep
[92mm x 106mm x 51mm]
Control Module Box (White)
w/ Water Resistant Connections.
AC or DC Operated w/
(4) AA Batteries

100-240 VAC Adapter
w/ 144" [3658mm] Long
Double Power Cord



Rough-In Requirement:
Ø 1 1/8" [29mm] Mounting Hole

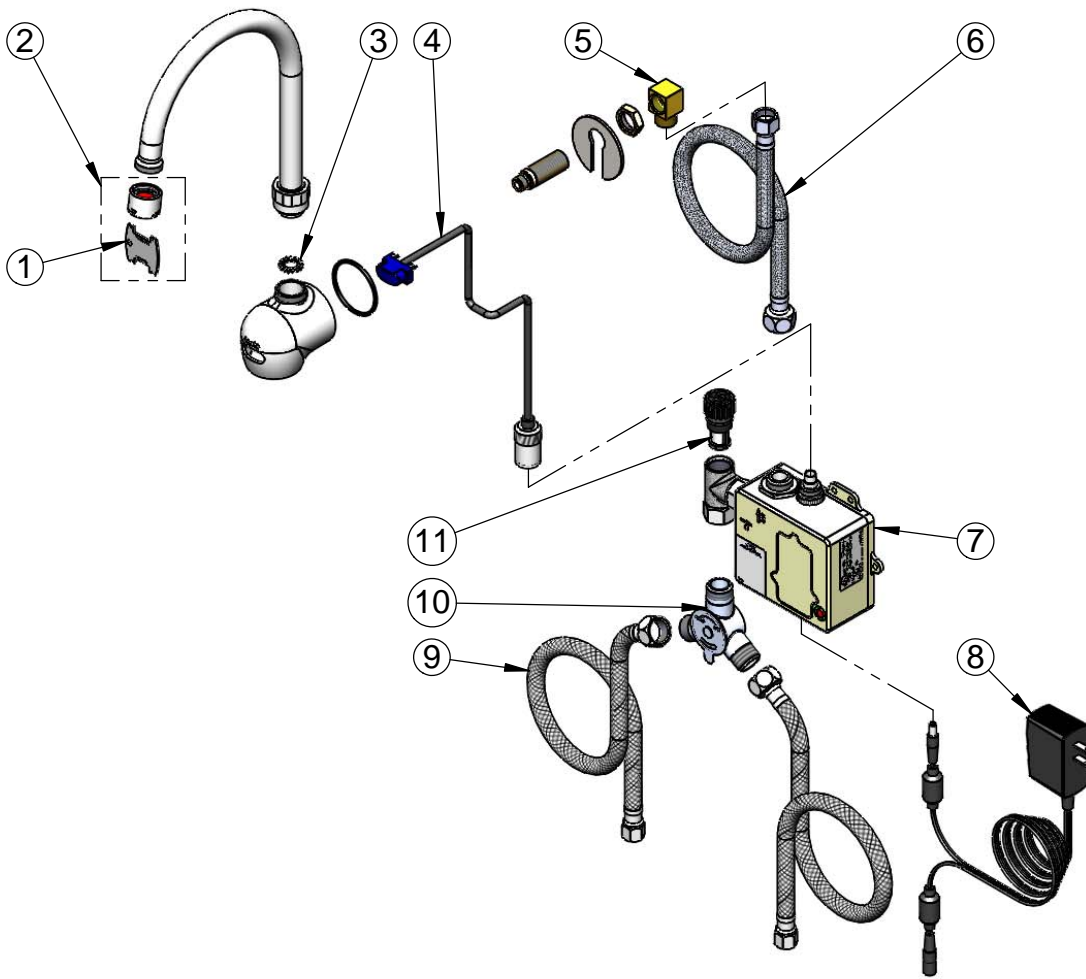
<p>Model Number</p> <p>5EF-1D-WG</p>	<p>Product Specifications:</p> <p>Electronic Faucet: Wall Mount Swivel Gooseneck, 2.2 GPM VR Aerator, AC-DC Control Module, Temperature Control Mixing Valve, Integral Check Valves & (2) 18" Flexible Supply Hoses</p>
---------------------------------------------	------------------------------------------------------------------------------------------------------------------------------------------------------------------------------------------------------------------------------------

<p>Product Compliance:</p> <p>ASME A112.18.1 / CSA B125.1 NSF 61 - Section 9 NSF 372 (Low Lead Content) ANSI A117.1 (ADA) UL 1951</p>

equip
Foodservice
Accessories

2 Saddleback Cove, P.O. Box 1088
Travelers Rest, South Carolina 29690
Phone: 800.891.4808 Fax: 800.868.0084
equip.tsbrass.com

ITEM NO.	SALES NO.	DESCRIPTION
1	015425-45	Vandal Resistant Key
2	B-0199-06	2.2 GPM VR Aerator w/ Key
3	017421-45	Serrated Lock Washer
4	5EF-0003	24" Sensor Cable
5	015345-20	3/8-18 NPSM Low Profile Elbow
6	016325-45	Inlet Hose, Faucet, 1/2" NPSM-F x 3/8" NPSM-F
7	5EF-0001	equip Sensor Faucet - Control Module
8	5EF-0002	equip AC Transformer, 100-240 VAC
9	5EF-0005	Supply Hose, 3/8" Compression x 1/2" NPSM
10	5EF-0006	Mechanical Mixing Valve
11	5EF-FILTER	Replacement Filter



Model Number

5EF-1D-WG

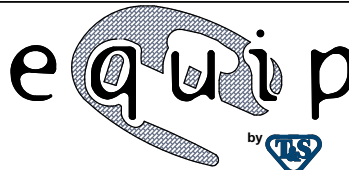
Product Specifications:

Electronic Faucet: Wall Mount Swivel Gooseneck, 2.2 GPM VR Aerator, AC-DC Control Module, Temperature Control Mixing Valve, Integral Check Valves & (2) 18" Flexible Supply Hoses

Product Compliance:

ASME A112.18.1 / CSA B125.1
NSF 61 - Section 9
NSF 372 (Low Lead Content)
ANSI A117.1 (ADA)
UL 1951

equip
Foodservice
Accessories



2 Saddleback Cove, P.O. Box 1088
Travelers Rest, South Carolina 29690
Phone: 800.891.4808 Fax: 800.868.0084
equip.tsbrass.com