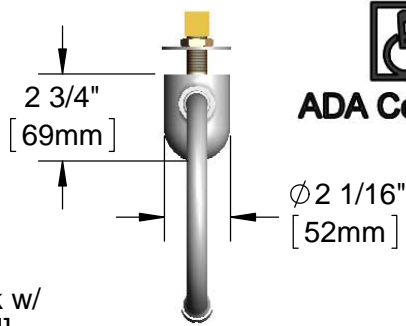




**ADA Compliant**



*This Space for Architect/Engineer Approval*

Job Name \_\_\_\_\_ Date \_\_\_\_\_  
 Model Specified \_\_\_\_\_ Quantity \_\_\_\_\_  
 Customer/Wholesaler \_\_\_\_\_  
 Contractor \_\_\_\_\_  
 Architect/Engineer \_\_\_\_\_

Swivel Gooseneck w/  
2.2 GPM [8.3 LPM]  
Vandal Resistant  
Aerator & Key

Lock Washer  
for Swivel to Rigid  
Conversion  
(Included)

1/2" NPSM x 3/8" NPSM  
30" [762mm] Long  
Flexible Stainless  
Steel Hose

Removable  
Strainer

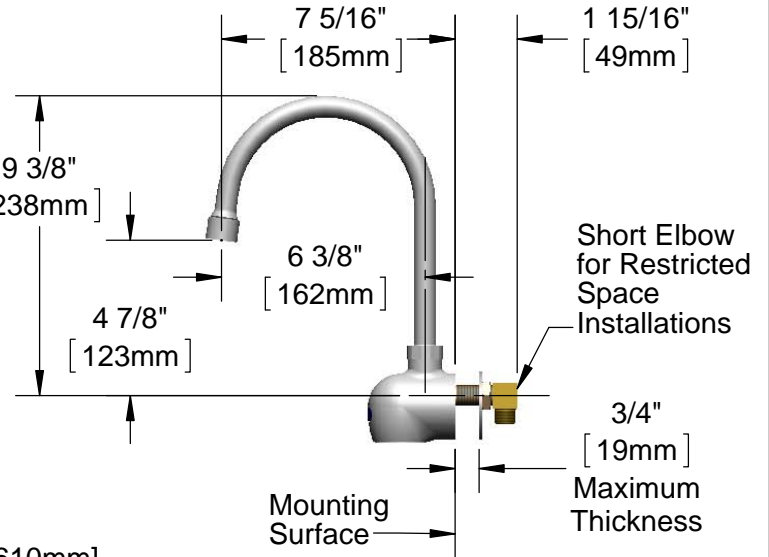
5EF-TMV  
ASSE 1070 Thermostatic  
Mixing Valve w/ Integral  
Check Valves

24" [610mm]  
Sensor Cable

3 5/8" x 4 3/16" x 2" Deep  
[92mm x 106mm x 51mm]  
Water Resistant Control Module Box (White)  
AC or DC Operated w/ (4) AA Batteries

100-240 VAC Adapter  
w/ 144" [3658mm] Long  
Double Power Cord.  
(Remove Rubber Plugs  
on Module and Cable  
to Connect)

(2) 3/8" Compression x 1/2" NPSM  
18" [457mm] Flexible Stainless Steel  
Supply Hose



Rough-In Requirement:  
Ø 1 1/8" [29mm] Mounting Hole

Model Number 5EF-1D-WG-TMV	Date 08/01/12	Scale 1:6	Drawn GEF	Checked DMH	Approved JHB
-------------------------------	------------------	--------------	--------------	----------------	-----------------

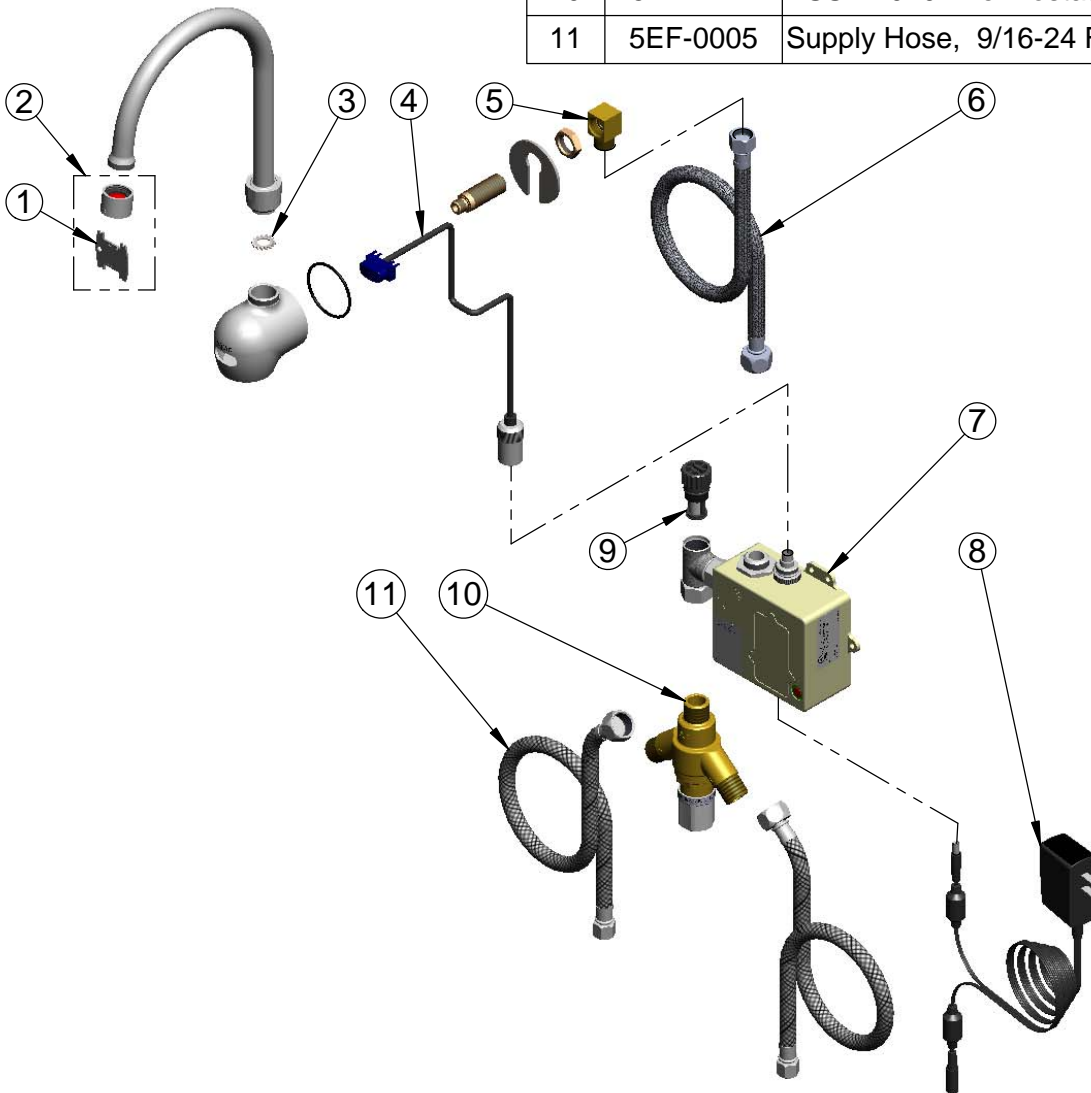


Product Specifications:

**Electronic Faucet: Wall Mount Swivel Gooseneck w/ VR Aerator, AC-DC Control Module, Thermostatic Temperature Control Mixing Valve w/ Integral Check Valves & 18" Long Flexible Supply Stop Hoses**

equip Foodservice Accessories  
2 Saddleback Cove, P.O. Box 1088  
Travelers Rest, South Carolina 29690  
Phone: 800.891.4808 Fax: 800.868.0084

ITEM NO.	SALES NO.	DESCRIPTION
1	015425-45	Vandal Resistant Key
2	B-0199-06	VR Aerator w/ Key
3	017421-45	Serrated Lock Washer
4	5EF-0003	24" Sensor Cable
5	015345-20	3/8-18 NPSM Low Profile Elbow
6	016325-45	Inlet Hose, Faucet, 1/2" NPSM-F x 3/8" NPSM-F
7	5EF-0001	equip Sensor Faucet - Control Module
8	5EF-0002	equip AC Transformer, 100-240 VAC
9	5EF-FILTER	Replacement Filter
10	5EF-TMV	ASSE 1070 Thermostatic Mixing Valve
11	5EF-0005	Supply Hose, 9/16-24 Female x 1/2" NPSM



Model Number 5EF-1D-WG-TMV	Date 08/01/12	Scale NTS	Drawn GEF	Checked DMH	Approved JHB
-------------------------------	------------------	--------------	--------------	----------------	-----------------



Product Specifications:  
**Electronic Faucet: Wall Mount Swivel Gooseneck w/ VR Aerator, AC-DC Control Module, Thermostatic Temperature Control Mixing Valve w/ Integral Check Valves & 18" Long Flexible Supply Stop Hoses**

equip Foodservice Accessories  
 2 Saddleback Cove, P.O. Box 1088  
 Travelers Rest, South Carolina 29690  
 Phone: 800.891.4808 Fax: 800.868.0084