

Ø 2 1/16"
[52mm]



ADA Compliant

This Space for Architect/Engineer Approval

Job Name _____ Date _____

Model Specified _____ Quantity _____

Customer/Wholesaler _____

Contractor _____

Architect/Engineer _____

Polished Chrome Plated
Solid Brass Cast Spout w/
B-0199-09-N05
VR 0.5 GPM [1.9 LPM]
Non-Aerated Spray Device
& Key

3 5/8" x 4 3/16" x 2"
[92mm x 106mm x 51mm]
Deep Control Module Box
(White) w/ Water Resistant
Connections. AC or DC
Operated w/ (4) AA Batteries

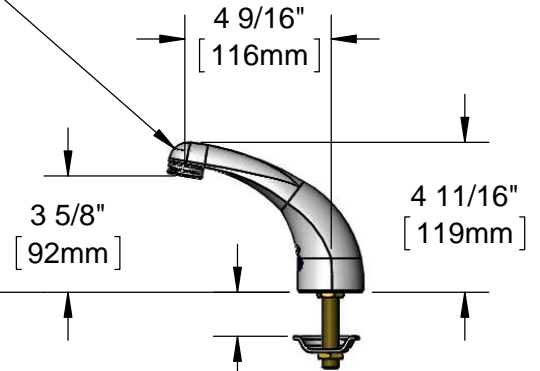
24" [610mm]
Sensor Cable

Removable
Strainer

Mounting Surface

1/2" NPSM x 1/4" NPSM
18" [457mm] Long
Flexible Stainless
Steel Hose

Mechanical Mixing Valve
w/ Integral Check Valves



1 3/8"
[35mm]
Maximum
Thickness

100-240 VAC Adapter
144" [3658mm] Long
Double Power Cord.
(Remove Rubber Plug
on Module and Cable
to Connect)

(2) 3/8" Compression x 1/2" NPSM
18" [457mm] Flexible Stainless
Supply Hoses

Rough-In Requirement:
Ø 1 1/4" [32mm] Mounting Hole

Model Number

5EF-1D-DS-VF05

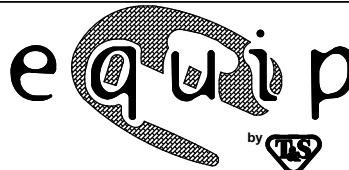
Product Specifications:

Electronic Faucet: Cast Brass Single Hole Deck Mount, VR 0.5 GPM
Non-Aerated Spray Device, Temperature Control Mixing Valve w/ Integral
Check Valves, (2) 18" Long Flexible Supply Hoses & AC-DC Control Module

Product Compliance:

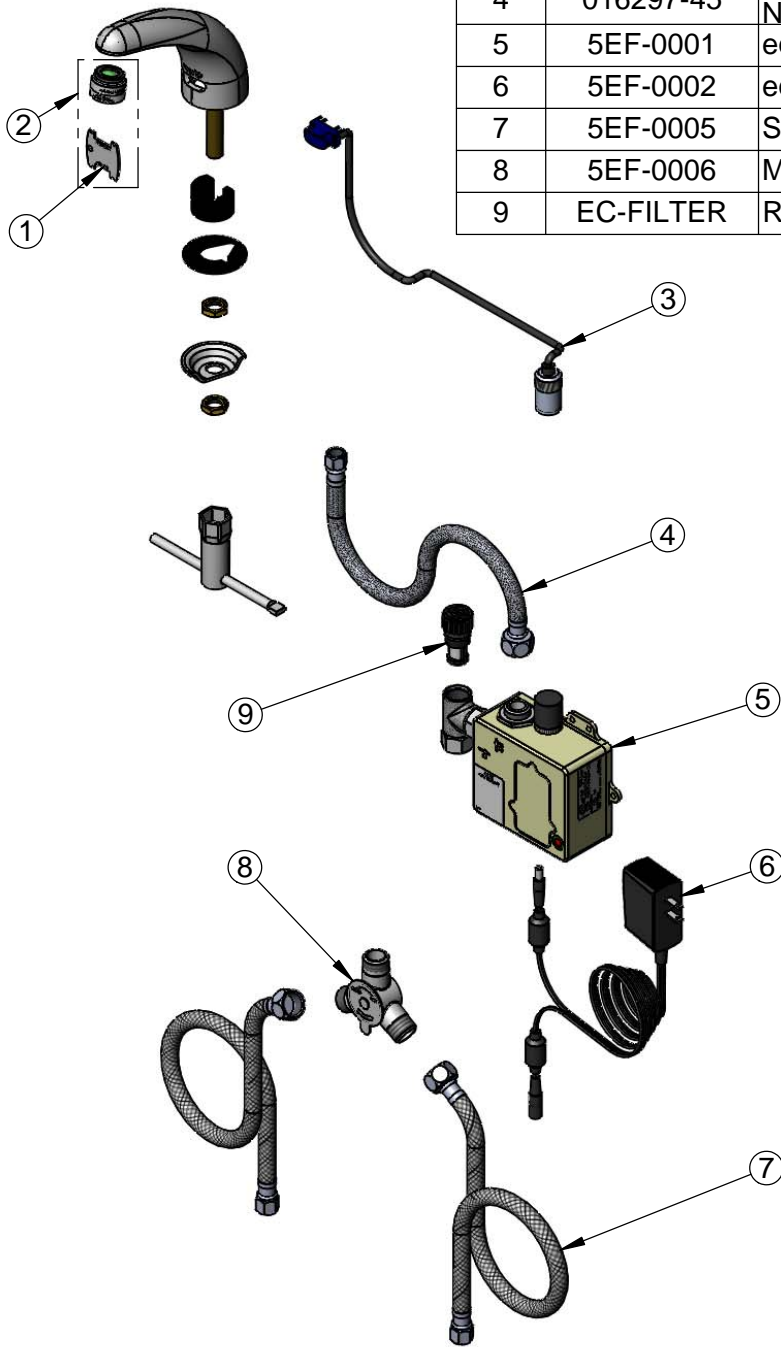
ASME A112.18.1 / CSA B125.1
NSF 61 - Section 9
NSF 372 (Low Lead Content)
ANSI A117.1 (ADA)
UL 1951

equip
Foodservice
Accessories



2 Saddleback Cove, P.O. Box 1088
Travelers Rest, South Carolina 29690
Phone: 800.891.4808 Fax: 800.868.0084
equip.tsbrass.com

ITEM NO.	SALES NO.	DESCRIPTION
1	015425-45	Vandal Resistant Key
2	B-0199-09-N05	VR 0.5 GPM Non-Aerated Spray Device, 15/16-27 UN Male w/ Key
3	5EF-0003	24" Sensor Cable
4	016297-45	Inlet Hose, Faucet, 1/2" NPSM Female x 1/4" NPSM Female
5	5EF-0001	equip Sensor Faucet - Control Module
6	5EF-0002	equip AC Transformer, 100-240 VAC
7	5EF-0005	Supply Hose, 9/16-24 Female x 1/2" NPSM
8	5EF-0006	Mechanical Mixing Valve
9	EC-FILTER	Replacement Filter



Model Number

5EF-1D-DS-VF05

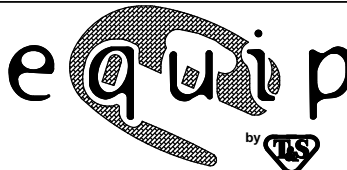
Product Specifications:

Electronic Faucet: Cast Brass Single Hole Deck Mount, VR 0.5 GPM Non-Aerated Spray Device, Temperature Control Mixing Valve w/ Integral Check Valves, (2) 18" Long Flexible Supply Hoses & AC-DC Control Module

Product Compliance:

ASME A112.18.1 / CSA B125.1
 NSF 61 - Section 9
 NSF 372 (Low Lead Content)
 ANSI A117.1 (ADA)
 UL 1951

equip
 Foodservice
 Accessories



2 Saddleback Cove, P.O. Box 1088
 Travelers Rest, South Carolina 29690
 Phone: 800.891.4808 Fax: 800.868.0084
 equip.tsbrass.com