

T&S BRASS AND BRONZE WORKS, INC.
 2 SADDLEBACK COVE / P.O. BOX 1088 / TRAVELERS REST, SC 29690
 PHONE 800-476-4103 - FAX 864- 834-3518

Sales No.

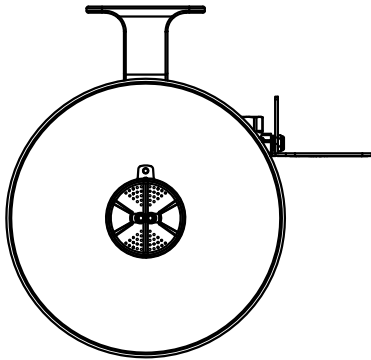
EW-7360B-TMV

**RELIABILITY
 BUILT IN**

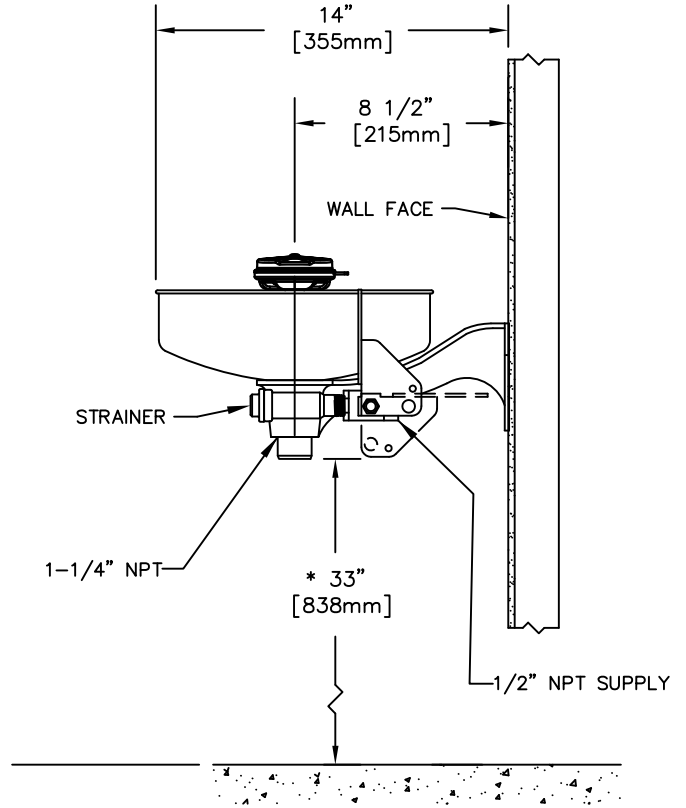
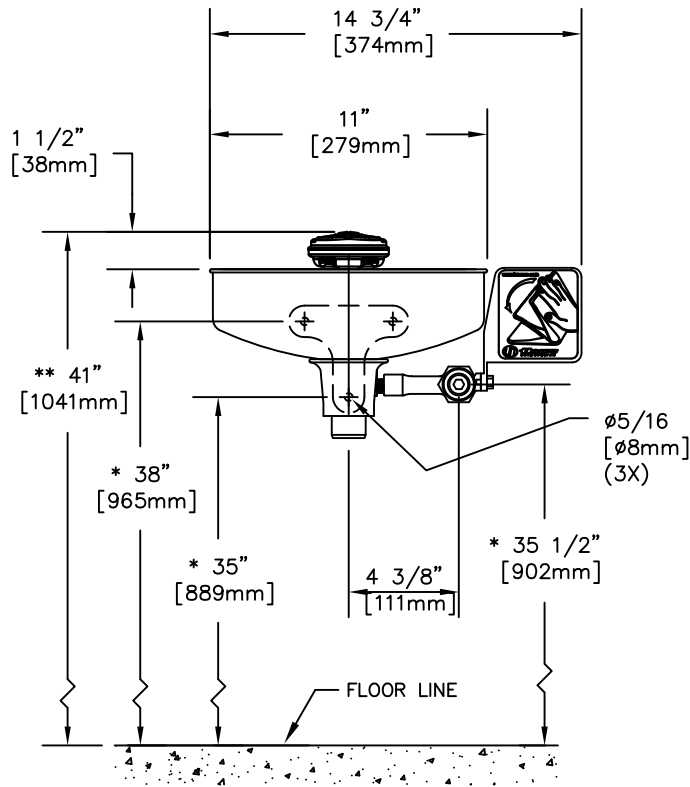
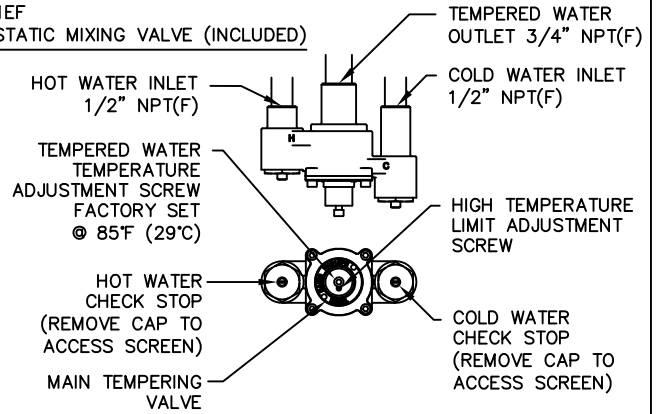
Job Name:

Architect/Engineer Approval:

Notes:



EW-9201EF
 THERMOSTATIC MIXING VALVE (INCLUDED)



NOTES:

- ** ANSI STANDARDS Z358.1 SPECIFIES EYEWASH NOZZLES TO BE 33" [838mm] TO 45" [1143mm] ABOVE THE FLOOR.
- * THESE DIMENSIONS ARE FOR REFERENCE
- ALL PLUMBING SUPPLIED BY OTHERS

Product Description:
 EYEWASH, WALL MOUNT w/ THERMOSTATIC MIXING VALVE

Drawn: DHL	Checked DMH	Scale: 1:8
Approved JHB		Date: 11/10/14