



Project: _____

Item #: _____ Quantity: _____

Model #: _____



Single SmartStone™ Tabletop Induction Warmer

Model: SRC-651SS (110-Volt/US)

Order Guide:

✓	Model Number	Voltage	Peak Power	Plug Type
	SRC-651SS 1	10-120	650 Watts	NEMA 5-15

Short Form Specification:

Unit to be a Spring USA **MAX Induction™**:
Tabletop SRC-651SS.

Installed below a SmartStone™ Countertop is the SRC-651SS Hold-Only Induction Heating System; Constructed of a metal housing with high-impact, 5mm thick, tempered glass hot top. Unit features a separate control panel with 36" (915 mm) cable, providing four (4) temperature settings and a large LED hold-temperature display, in addition to the features listed below.

Construction & Performance Features:

- Magnetic *SmartScan™* technology heats the metal serving pieces, not the countertop
- Separate control panel with 36" (915mm) cable for easy front mounting
- Energy saving 650-watt model for product holding (only)
- Choice of four (4) temperature settings
- Choice of nine (9) SmartStone™ counter colors

Simple Solid State Controls With:

- Power ON/OFF Touch Pad
- Power ON/Pan-Present Indicator Lights
- Four-Position Set-Hold Temperature Control
- Lighted Temperature Indicator

<i>Low</i>	<i>Low-Med</i>	<i>Med-High</i>	<i>High</i>
145 - 155° F	156 - 165° F	166 - 175° F	176 - 185° F
61 - 71° C	72 - 76° C	77 - 82° C	83 - 87° C

- Over/Under Voltage Protection Standard
- Tempered, Black Glass Control Panel Overlay

Standard Warranty:

- One Year, Parts & Labor

Agency Listings:

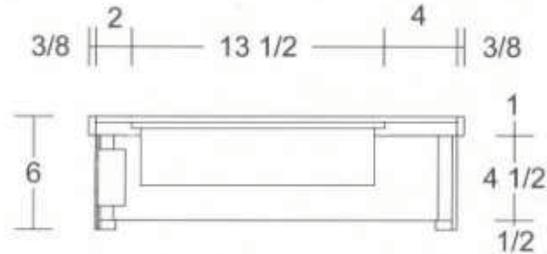
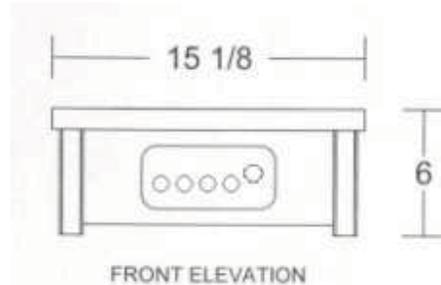
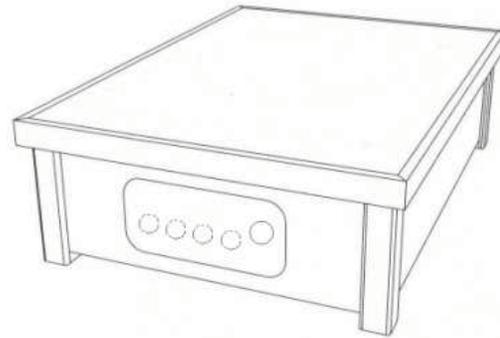
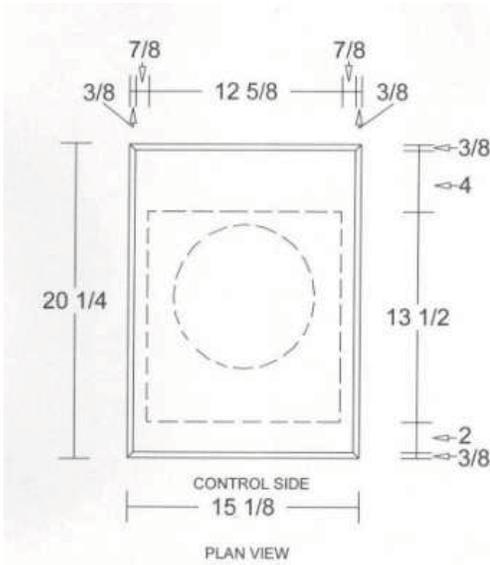
- FCC
- ETL
- ETL-Sanitation to NSF-4
- CETL

Available Accessories/Alternate Configurations:

- Induction-Ready Pans & Servers [Spring USA Catalog]
- Countertop, Portable Induction Ranges [See Spec.SIR-1]
- Countertop (Hold-Only) Induction Hot Plate [Spec.SIR-2]

Single SmartStone™ Tabletop Induction Warming System

Model: SRC-651SS



[EC] Electric Requirements:

Model	Voltage	Phase	Hertz	Watts	Amps	Plug	Receptacle
SRC-651SS	110-120 AC	1	60	650	5.4	NEMA 5-15P	NEMA 5-15R

Key Dimensions & Shipping Information:

Model	Unit Width	Unit Depth	Unit Height	Weight *	Single Unit Shipping Carton *		
					Width	Depth	Height
SRC-651SS	12.625" (321 mm)	13.375 (340 mm)	4.375 (112 mm)	Unit: 11 lbs (5 kg) *Shipping: 13 lbs. (5.9 kg)	22" (559 mm)	19" (483 mm)	7.5" (191 mm)

Notes & Conditions:

This induction range requires use of ferrous metal, induction-ready cookware.

Due to continuous product improvement, specifications are subject to change without notice