

Salvajor Model ARSS-2

Pre-Wired Automatic Reversing Control Panel
for Disposer Models: 75 - 100 - 150 - 200 - 300 - 500 - 750

**Automatic
Reversing
Start
Stop**

SPECIFICATIONS:

- NEMA 4 Stainless Steel Watertight Enclosure
- 24 Volt Safety Circuitry
- Automatic Reversing Magnetic Contactors
- Terminal Strip Connections
- START/STOP Push Buttons

VOLTAGES AVAILABLE:

1-PHASE

115 VOLT, 208-230 VOLT

3-PHASE

208-230 VOLT, 460 VOLT

◆ SPECIFY EXACT OPERATING VOLTAGE ◆

ACCESSORIES AVAILABLE:

- #P - MOUNTED 1/2" SOLENOID VALVE AND FLOW CONTROL
- #PP - MOUNTED 1/2" SOLENOID VALVE, FLOW CONTROL AND PRESSURE SWITCH
- #980105 - MOUNTING BRACKET
- #980104 - REMOTE MOUNTING BRACKET
- #RSS - REMOTE START/STOP

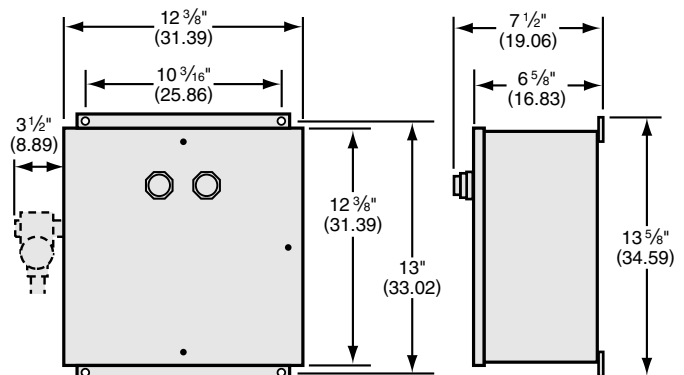
(Specifications subject to change without notice)
Current specification details may be found online
at www.salvajor.com



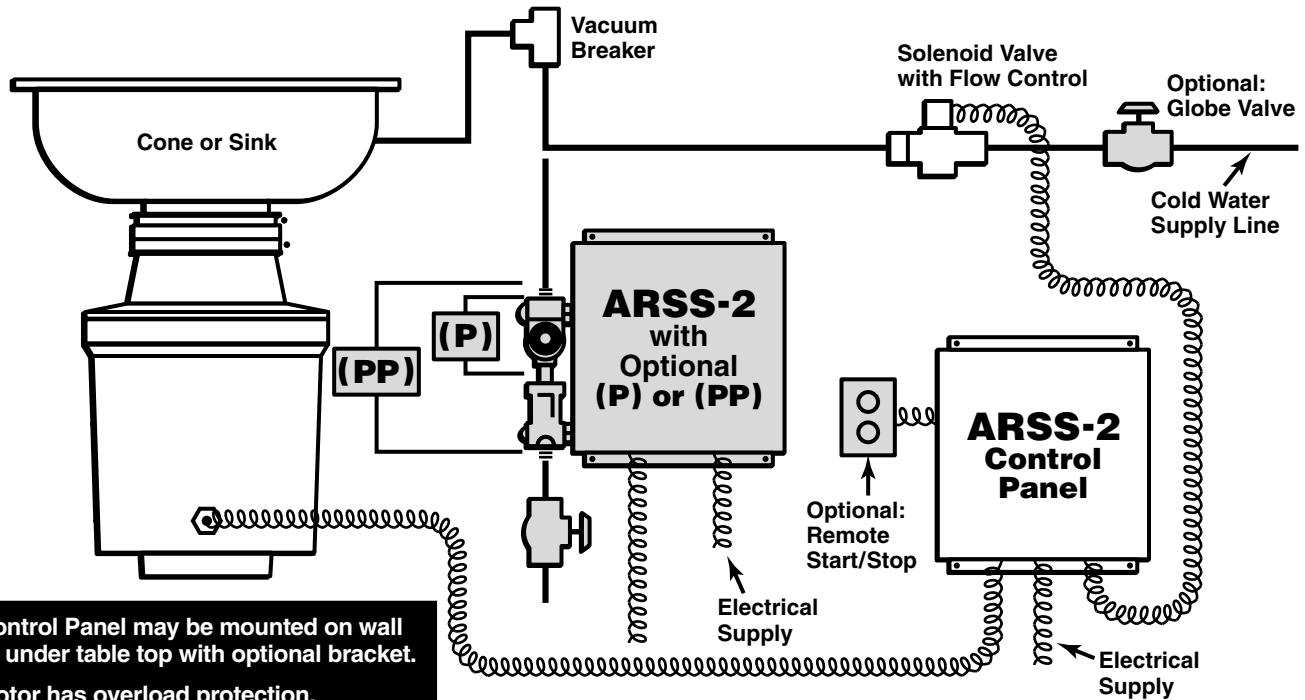
MODEL ARSS-2 DISPOSER CONTROL

is for use with
Salvajor Models:
75 - 100 - 150 - 200 -
300 - 500 - 750

WEIGHT: 21 LBS.

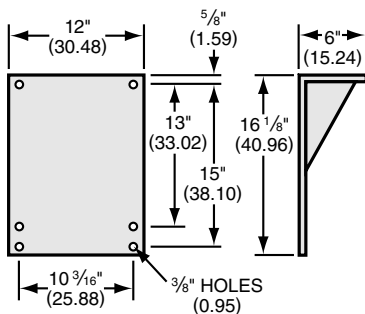


Typical Installation Diagram of Salvajor Model ARSS-2 Control Panel and Disposer



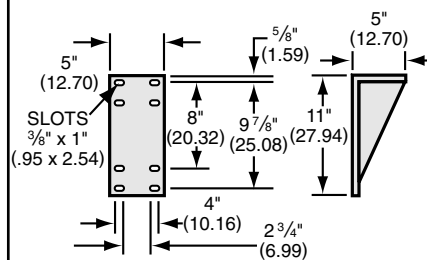
NOTE: INSTALL PER ALL APPLICABLE CODES

980105 Optional Mounting Bracket for ARSS-2 Control Panel

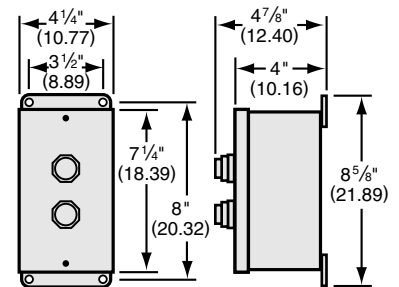


NOTE: Dimensions in parenthesis are in centimeters

980104 Optional Mounting Bracket for Remote Start/Stop



RSS Optional Remote Start/Stop



Item Numbers for Ordering

CONTROL MODEL	VOLTAGE	PHASE	ITEM NO.
ARSS-2 or ARSS-2-P or ARSS-2-PP	115	1	ARSS24
	208 or 230	1	ARSS25
	208 or 230	3	ARSS27
	460	3	ARSS29

◆ SPECIFY EXACT OPERATING VOLTAGE ◆



The Salvajor Company 4530 East 75th Terrace Kansas City, Missouri 64132-2081, USA

1-800-SALVAJOR

(816) 363-1030

FAX: 1-800-832-9373

www.salvajor.com

Email: sales@salvajor.com

service@salvajor.com

Manufacturers of Commercial Food Waste Disposing Systems since 1944

Printed in USA
Form No. ARSS-2-9-BH