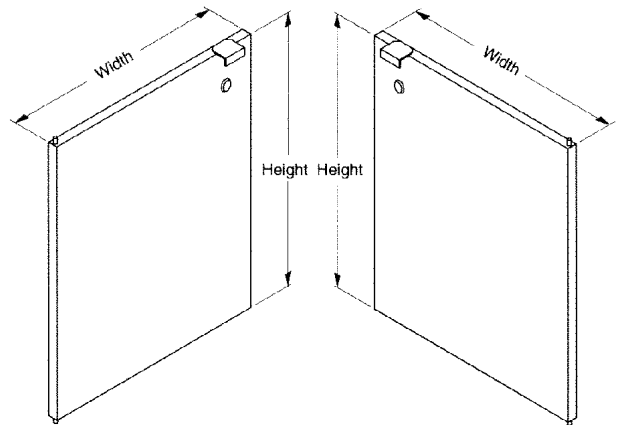


Storage Cabinet Accessories

Item No. _____
 Model No. _____
 Job _____
 Area _____

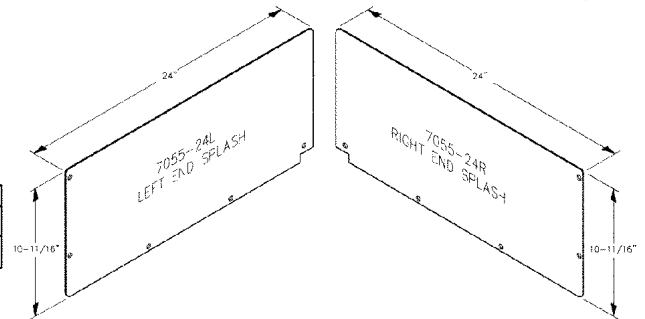
Doors

Part No.	Description	For Model No.	Door Width	Door Height
7055-146	Right-hinged	7055-80	17 $\frac{1}{2}$ "	21 $\frac{3}{16}$ "
7055-146L	Left-hinged	7055-80	17 $\frac{1}{2}$ "	21 $\frac{3}{16}$ "
7055-272	Right-hinged	7055-76	23 $\frac{1}{2}$ "	21 $\frac{3}{16}$ "
7055-272L	Left-hinged	7055-76	23 $\frac{1}{2}$ "	21 $\frac{3}{16}$ "
7055-84	Set of doors	7055-83	14 $\frac{5}{8}$ "	21 $\frac{3}{16}$ "
7055-94	Set of doors	7055-93	14 $\frac{5}{8}$ "	21 $\frac{3}{16}$ "



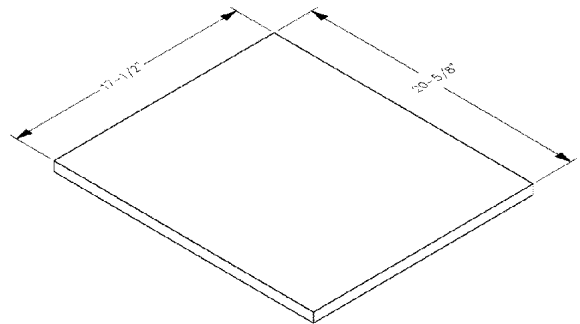
End Splash

Part No.	Description	For Model No.	Width	Height
7055-24L	Left Splash	All models	24"	10 $\frac{11}{16}$ "
7055-24R	Right Splash	All models	24"	10 $\frac{11}{16}$ "



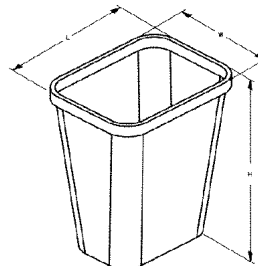
Shelf Kits

Part No.	For Model No.	Length	Height
7055-75	For 7055-80 (18" Cabinet)	17 $\frac{1}{2}$ "	20 $\frac{5}{8}$ "
7055-85	For 7055-76 (24" Cabinet)	20 $\frac{5}{8}$ "	29 $\frac{1}{2}$ "
7055-95	For 7055-83 (30" Cabinet)	20 $\frac{5}{8}$ "	47 $\frac{1}{2}$ "
7055-271	For 7055-93 (48" Cabinet)	20 $\frac{5}{8}$ "	23 $\frac{1}{2}$ "



Plastic Wastebasket

Part No.	For Model No.	Length	Width	Height
7055-102	All models	14 $\frac{1}{2}$ "	10 $\frac{1}{2}$ "	15"



8300 West Good Hope Road • Milwaukee, WI 53223 • Phone: 414-353-7060
 Fax: 414-353-7069 • E-Mail: Perlick@Perlick.com • <http://www.Perlick.com>