



JOB:
ITEM:
QTY:



UTILITY/BUSSING CART

APPLICATION:

These carts are designed for various tasks such as serving, bussing, and general utility. These three shelf units have three lips up and on lip down to help hold products on shelves.

MATERIAL:

Framework is constructed of 1"x1"x.070" wall tubing. Shelves are constructed of .080" aluminum sheet.

CASTERS:

These carts come equipped with four 5" stem type swivel casters.

GUARANTEE:

These carts carry a **Lifetime Guarantee** against rust and corrosion and also carry a **Five-Year Guarantee** against workmanship and material defects.

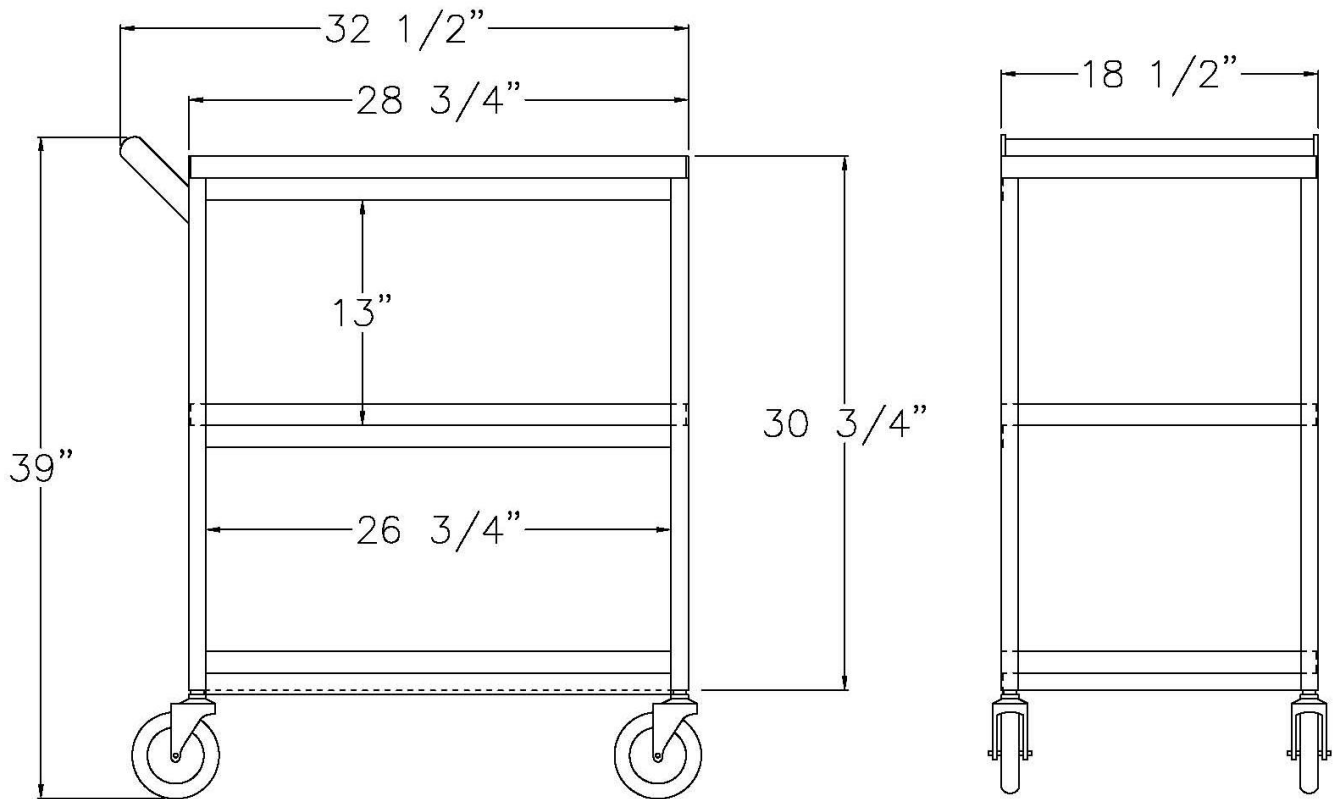


Model #NS745



Phone:800-255-0104
Fax: 877-877-7687
www.newageindustrial.com
sales@newageindustrial.com

New Age Industrial reserves the right to modify or make changes at any time without notice to materials and specifications.



Model #NS745

| Model No. | Size-W | Size-H | Size-D | Shelf Size | Shelf Spacing |
|-----------|---------|--------|---------|-----------------|---------------|
| NS745 | 18 1/2" | 39" | 32 1/2" | 18 1/2"X28 3/4" | 13" |
| 1440 | 16 1/2" | 39" | 27 3/4" | 16 1/2"X24" | 13" |



Phone: 800-255-0104
 Fax: 877-877-7687
www.newageindustrial.com
sales@newageindustrial.com

New Age Industrial reserves the right to modify or make changes at any time without notice to materials and specifications.