



JOB:
ITEM:
QTY:



BULK FRAMES AND TUBS

APPLICATION:

Labor saving mobile carts. FDA approved molded polyethylene natural bulk tubs. Tub sizes are 2 1/4 bushel (20 gallons), 4 bushel (30 gallon capacity), 6 bushel (41 gallon capacity), 8 bushel (57 gallon capacity), and 9 bushel (66 gallon capacity). Optional shoebox type lids available for most sizes. Open frame is easy to clean.

MATERIAL:

All aluminum welded construction. Framework is constructed out of 1 1/4x 1 1/4"x.070" wall tubing. Tub supports are constructed out of 1"x1"x.070" wall tubing.

CASTERS:

The bulk movers frames come equipped with four 5"x1 3/8" stem type polyurethane swivel casters.

GUARANTEE:

These bulk movers carry a **Lifetime Guarantee** against rust and corrosion and also carry a **Five-Year Guarantee** against workmanship and material defects.

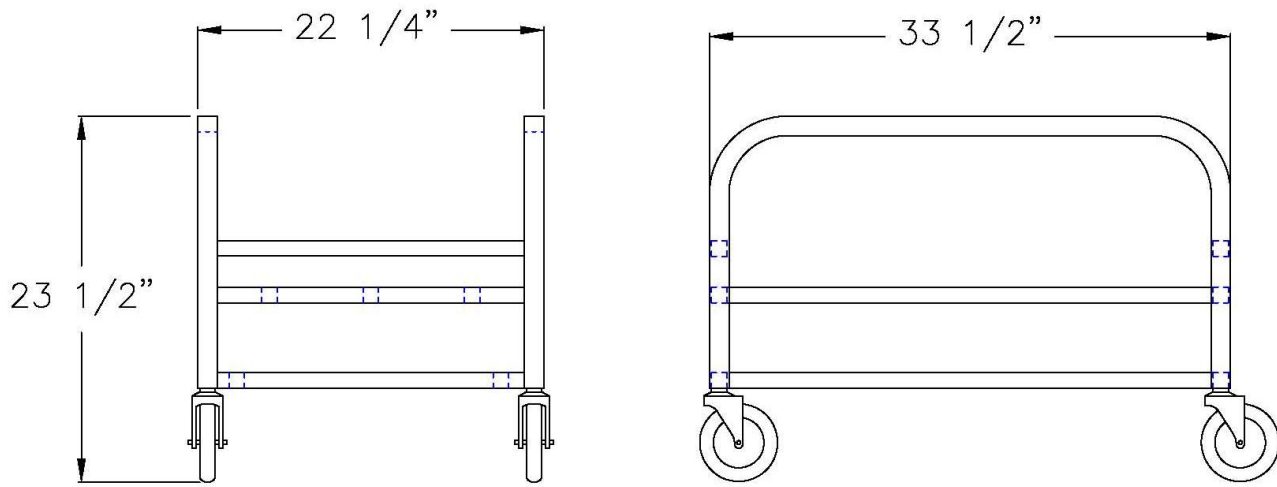


Model #99273 frame
Model #0360 tub



Phone: 800-255-0104
Fax: 877-877-7687
www.newageindustrial.com
sales@newageindustrial.com

New Age Industrial reserves the right to modify or make changes at any time without notice to materials and specifications.



Model #99273

| Model No. | Size-W | Size-H | Size-D | Bushel Cap. |
|-----------|---------|---------|---------|-------------|
| 99521 | 20 1/4" | 33" | 26 1/4" | 2 1/4 |
| 99271 | 20" | 28 1/4" | 29 1/4" | 4 |
| 99272 | 21" | 25" | 28" | 6 |
| 99273 | 22 1/4" | 23 1/2" | 33 1/2" | 8 |
| 99274 | 26 1/2" | 25" | 37 1/4" | 9 |

*Overall Height with tub is 36"

| Model No. | O.D. Top L x H x W | I.D. Top L x W | I.D. Bottom L x W | Description |
|-----------|-------------------------|-----------------|-------------------|------------------|
| 0300 | 19 1/4"x13 3/4"x26" | 17"x24" | 14 1/4"x21" | 2 1/4 Bushel Tub |
| 0381 | 32 3/4"x15 3/4"x21 1/4" | 29 1/4"x17 1/2" | 24 3/4"x15" | 4 Bushel Tub |
| 0381L | 34"x2"x22 1/2" | | | 4 Bushel Lid |
| 0363 | 32 1/4"x20"x23 1/4" | 29"x20" | 23 1/2"x16" | 6 Bushel Tub |
| 0363L | 33 1/2"x2"x24 1/2" | | | 6 Bushel Lid |
| 0360 | 36 1/4"x23"x24 1/4" | 32 1/4"x20 1/2" | 28 1/2"x17" | 8 Bushel Tub |
| 0360L | 37 1/2"x2 1/2"x25" | | | 8 Bushel Lid |
| 0382 | 41 1/2"x19"x29 1/2" | 37"x25" | 33"x21" | 9 Bushel Tub |

**Operating Temperature Range for tubs and lids is -20°F to 150°F*

Frames and Tubs sold separately



Phone: 800-255-0104
 Fax: 877-877-7687
www.newageindustrial.com
sales@newageindustrial.com

New Age Industrial reserves the right to modify or make changes at any time without notice to materials and specifications.