



Project _____
 Item # _____
 Quantity _____

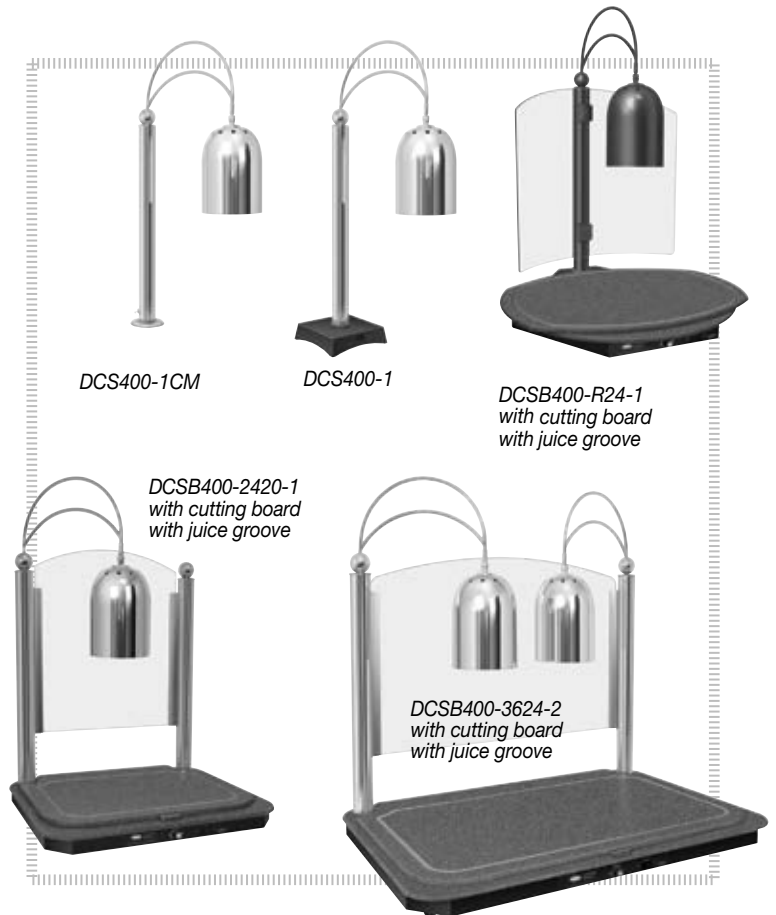
Decorative Carving Stations

- Models: DCS400-1
 DCS400-1CM
 DCSB400-R24-1
 DCSB400-2420-1
 DCSB400-3624-2

Providing proper food serving temperatures, the Decorative Carving Station combines the Hatco Decorative Heat Lamp with the Swanstone® Heated Base to create an attractive carving display. These warmers are perfect for chef stations in restaurants, hotels, country clubs, casinos and catered events.

Standard features

- Available as Post Mount, Counter Mount or Freestanding with a round or rectangular heated stone base
- Patented telescoping adjustable post pivots 30° to put the heat and light where it is needed
- Height can be adjusted from from the bottom of lamp to top of the cutting board:
 14" to 26" (356 to 660 mm) for DCSB400-R24-1, -2420-1, -3624-2
 15" to 27" (381 to 686 mm) for DCS400-1
 16" to 28" (406 to 711 mm) for DCS400-1CM
- DCS400-1 includes a 40 lbs. (18 kg) black base for stability and to minimize the risk of tipping
- DCS400-1CM is designed to be permanently mounted to a counter or stable shelf
- Heated base is controlled by an adjustable thermostat and power switch (excludes DCS400-1 and DCS400-1CM)
- Heated stone bases, post bases and cutting boards are made of foodsafe materials
- Sneeze guard is 5" (127 mm) above base for easy accessibility (excludes DCS400-1 and DCS400-1CM)
- Swanstone cutting board matches color of base (excludes DCS400-1 and DCS400-1CM)
- Clear coated, 250 watt bulb(s) included
- Comes with 6' (1829 mm) cord and plug attached



Options (available at time of purchase only)

- Post and Lamp Shades Plated Finishes:
 Bright Brass Bright Nickel (standard) Antique Bronze
- Heated Stone Base, Trim Ring (DCS400-1CM only) and Cutting Board
 Swanstone® Decorative Stone Color:
 Gray Granite Bermuda Sand Night Sky (standard)

Accessories

- Coated Red Bulb, 250 Watt (clear coat is standard)
- Swanstone® Cutting Boards with Juice Groove (Heated Base Units include one Cutting Board) (excludes DCS400-1 and DCS400-1CM)
 Gray Granite Bermuda Sand Night Sky (standard)



HATCO CORPORATION | P.O. Box 340500 Milwaukee, WI 53234-0500 U.S.A. | (800) 558-0607 | (414) 671-6350

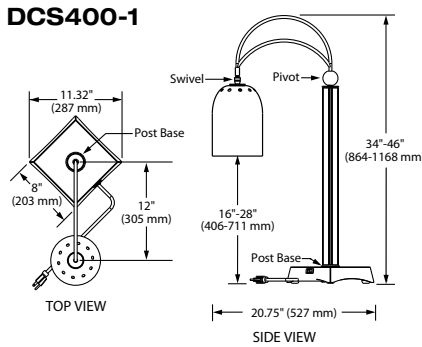
Fax: (800) 543-7521 | Int'l. Fax: (414) 671-3976 | www.hatcocorp.com | equipmentsales@hatcocorp.com | intl@hatcocorp.com



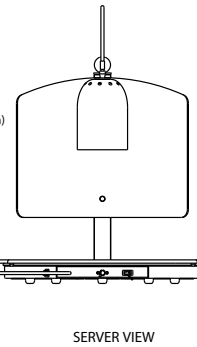
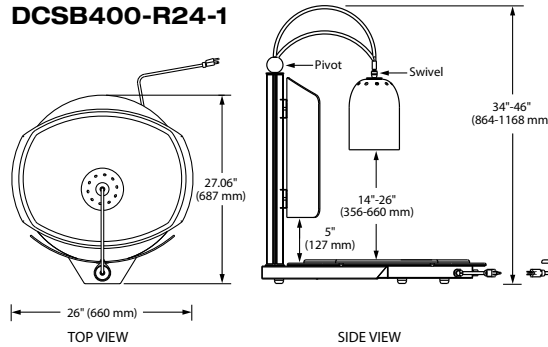
Decorative Carving Stations

Models: DCS400-1, DCS400-1CM, DCSB400-R24-1, DCSB400-2420-1, DCSB400-3624-2

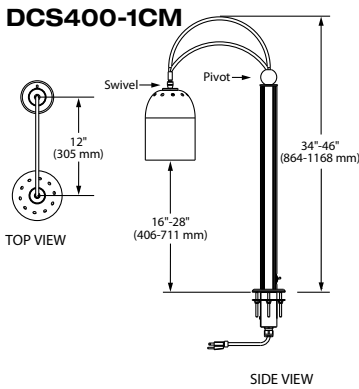
DCS400-1



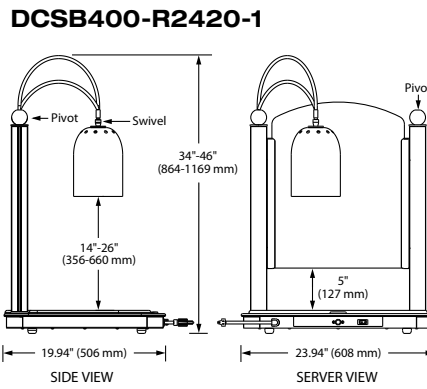
DCSB400-R24-1



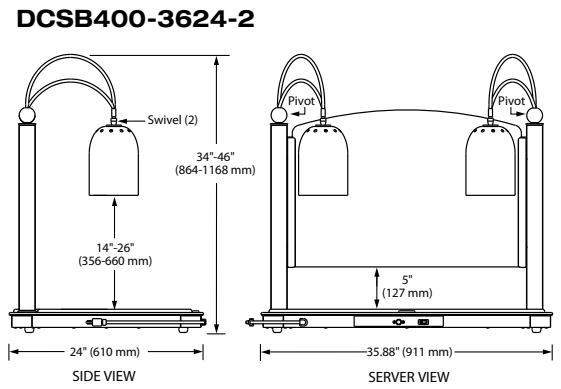
DCS400-1CM



DCSB400-R2420-1



DCSB400-3624-2



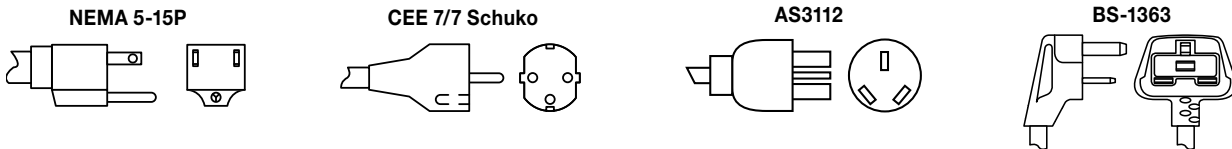
SPECIFICATIONS Decorative Carving Stations

The shaded areas contain electrical information for International models only

| Model | Dimensions (Width x Depth x Height) | Heated Base Surface (Width x Depth) | Voltage | Phase | Watts | Amps | Plug | Cord Location | Ship Weight* |
|----------------|--|--|----------|--------|-------|------|---------------------------------------|--------------------------------------|---------------------|
| DCS400-1 | 8" x 20.75" x 34"-46" (203 x 527 x 864-1168 mm) | — | 120 | Single | 250 | 2.1 | NEMA 5-15P | Server side center, base of unit | 32 lbs. (15 kg) |
| | | | 230 (CE) | Single | 250 | 1.1 | CEE 7/7 Schuko, AS 3112 or BS-1363 | | |
| DCS400-1CM | 6.125" x 20.75" x 34"-46" (156 x 527 x 864-1168 mm) | — | 120 | Single | 250 | 2.1 | NEMA 5-15P | Bottom of unit | 17 lbs. (8 kg) |
| | | | 230 (CE) | Single | 250 | 1.1 | CEE 7/7 Schuko, AS 3112 or BS-1363 | | |
| DCSB400-R24-1 | 26"W x 27.06"D x 34"-46"H (660 x 687 x 864-1168 mm) | 24" (609 mm) diameter | 120 | Single | 600 | 5.0 | NEMA 5-15P | Server side on left, base of unit | 75 lbs. (35 kg) |
| | | | 230 (CE) | Single | 600 | 2.6 | CEE 7/7 Schuko, AS 3112 or BS-1363 | | |
| DCSB400-2420-1 | 23.94" x 19.94" x 34"-46" (608 x 506 x 864-1168 mm) | 24" x 20" (609 x 508 mm) | 120 | Single | 750 | 6.3 | NEMA 5-15P | Server side on left, base of unit | 106 lbs. (48 kg) |
| | | | 230 (CE) | Single | 750 | 3.3 | CEE 7/7 Schuko, AS3112 or BS-1363 | | |
| DCSB400-3624-2 | 35.88" x 24" x 34"-46" (911 x 610 x 864-1168 mm) | 36" x 24" (914 x 609 mm) | 120 | Single | 1300 | 10.8 | NEMA 5-20P | Server side on left, base of unit | 154 lbs. (70 kg) |
| | | | 230 (CE) | Single | 1300 | 5.7 | CEE 7/7 Schuko, AS3112 or BS-1363 | | |

* Shipping weight includes packaging.

PLUG CONFIGURATIONS



PRODUCT SPECS Decorative Carving Stations

The Foodwarmer shall be a Decorative Carving Station, manufactured by the Hatco Corporation, Milwaukee, WI 53234 U.S.A.

The Foodwarmer shall be a Decorative Carving Station Model ... , rated at ... watts, ... volts, single phase, and be ... inches (millimeters) in overall width.

The foodwarmer shall be factory-assembled ready for electrical installation with cutting board and 6' (1829 mm) cord and plug. Heated base units shall be thermostatically controlled.

Warranty consists of 24/7 parts and service assistance (U.S. and Canada only).

HATCO CORPORATION | P.O. Box 340500 Milwaukee, WI 53234-0500 U.S.A. | (800) 558-0607 | (414) 671-6350
 Fax: (800) 543-7521 | Int'l. Fax: (414) 671-3976 | www.hatcocorp.com | equipmentsales@hatcocorp.com | intl@hatcocorp.com