



Project \_\_\_\_\_  
 Item # \_\_\_\_\_  
 Quantity \_\_\_\_\_

# Flav-R 2-Go® Locker System - Countertop

Models: F2G-3-A, -22-A, -32-A  
 F2G-3-C, -22-C, -32-C

The Hatco Flav-R 2-Go® Locker System - Countertop, designed specifically for your pick-up and third-party delivery needs, is capable of holding multiple orders of hot or ambient food with quick and secure access. By reducing congestion and allowing employees to focus on other functions, customers or delivery people can arrive, access their specific locker, and leave without waiting in line or disturbing the flow of other business.

## Standard features

- Ideal for handling pick-up, third-party delivery and to-go orders in a contactless manner so there is no human interaction to keep both customers and employees safe
- Floor mount and built-in models also available, see alternate spec sheets
- Individual lockers can have the heat turned off for ambient storage
- Each locker has a timer that will hold prepared and packaged food for up to 45 minutes
- Lockers come preset to 150°F (66°C) with a high temperature range up to 200°F (93°C) (All lockers will be one temperature)
- Large 10" (254 mm) touchscreen for easy viewing (front and/or back)
- On pass-through units, customer side stays locked. When the access code is used, the door unlocks and LED lights flash in the appropriate locker
- Internal lights can be programmed to six different colors: blue (standard), red, green, yellow, magenta or white (all lockers will be one color)
- Manual (standard) or POS integration capabilities available (outside vendor required)
- Available with pass-through or one-sided access. Available in two locker depth sizes, *Designer* colors and the ability to have a custom logo on the customer side glass doors



## Options (available at time of purchase only)

### Designer Colors –

- Non-standard colors are non-returnable – Warm Red standard –
- Black       Gray Granite       White Granite
  - Navy Blue       Hunter Green       Antique Copper

### Right Side Control Panel – left side control panel standard –

- F2G-3       F2G-32

- Back panels – Creates a non-pass-through unit – (The cord and power switch will move to the side of the unit, operators left, if right side is not selected at time of order) (subtract .95" (24 mm) to the depth and add 1.21" (30 mm) to width) –
- Cord Location, operator side, bottom right corner – in lieu of standard, Operator side, bottom left corner –

**For operation, location and safety information, please refer to the Installation & Operating Manual.**



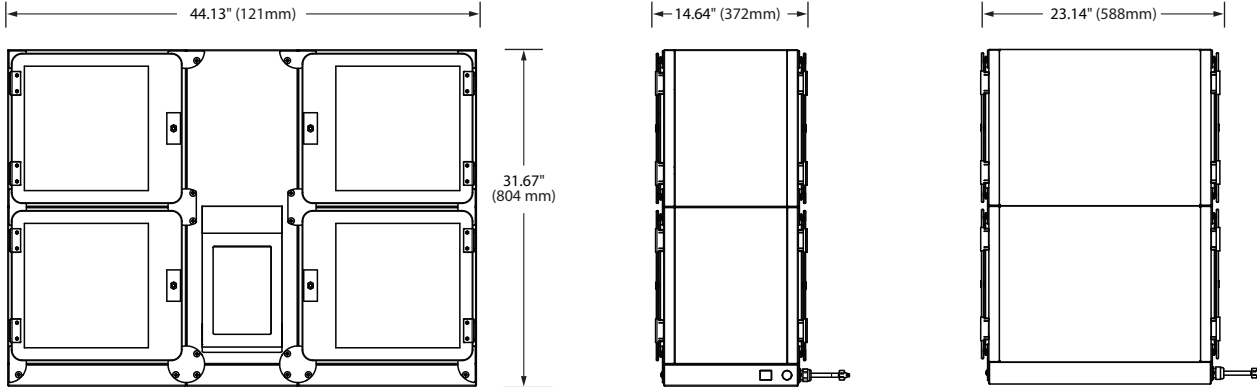
**HATCO CORPORATION** | P.O. Box 340500 Milwaukee, WI 53234-0500 U.S.A.  
 (800) 558-0607 | (414) 671-6350 | [www.hatcocorp.com](http://www.hatcocorp.com) | [support@hatcocorp.com](mailto:support@hatcocorp.com)



# Flav-R 2-Go® Locker System - Countertop

Models: F2G-3-A, -22-A, -32-A F2G-3-C, -22-C, -32-C

## F2G-22

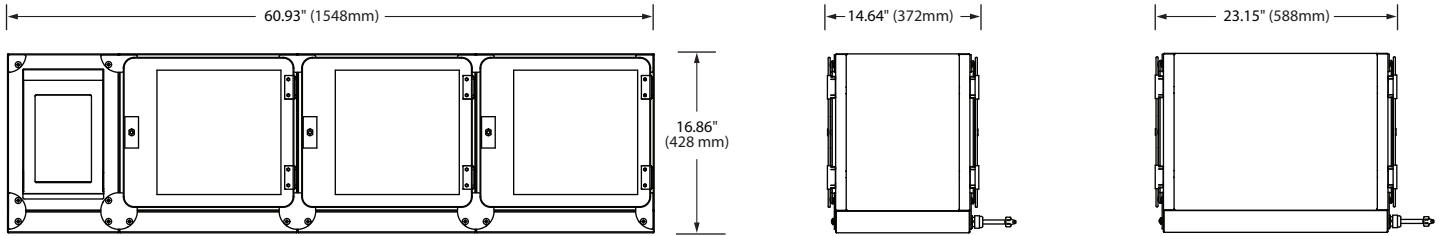


FRONT VIEW  
CUSTOMER SIDE

SIDE VIEW  
A MODEL

SIDE VIEW  
C MODEL

## F2G-3

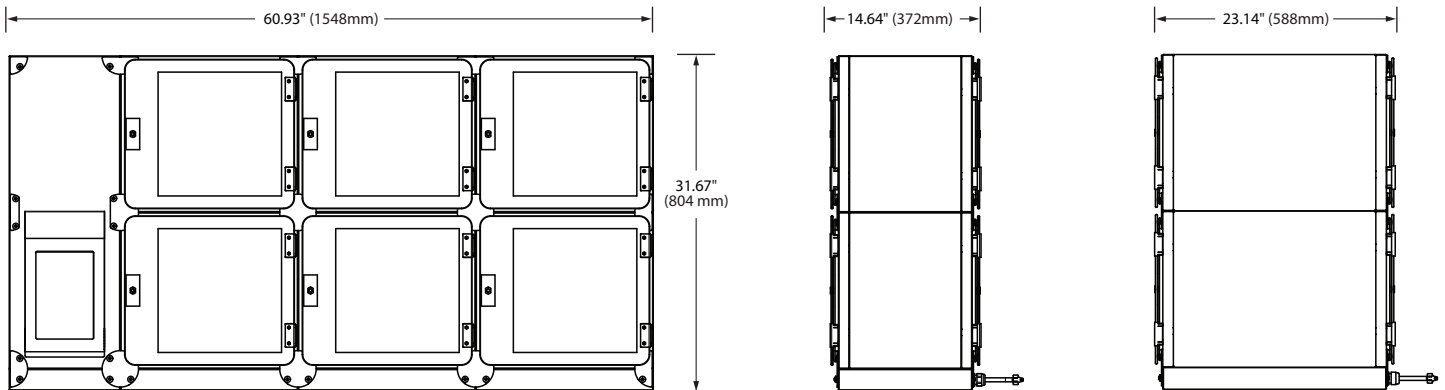


FRONT VIEW  
CUSTOMER SIDE

SIDE VIEW  
A MODEL

SIDE VIEW  
C MODEL

## F2G-32



FRONT VIEW  
CUSTOMER SIDE

SIDE VIEW  
A MODEL

SIDE VIEW  
C MODEL



# Flav-R 2-Go® Locker System - Countertop

Models: F2G-3-A, -22-A, -32-A F2G-3-C, -22-C, -32-C

## SPECIFICATIONS Flav-R 2-Go® Locker Systems - Countertop

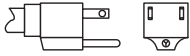
Model	Model Dimensions (W x D x H)	Number of Lockers	Internal Locker Dimensions (W x D x H)	Volts	Watts	Amps	Plug
F2G-22-A	44.13" x 14.64" x 31.67" (1121 x 372 x 804 mm)	4 lockers	12" x 12" x 12" (305 x 305 x 305 mm)	120	423	3.8	NEMA 5-15P
F2G-22-C	44.13" x 23.14" x 31.67" (1121 x 588 x 804 mm)	4 lockers	12" x 20.5" x 12" (305 x 521 x 305 mm)	120	551	4.8	NEMA 5-15P
F2G-3-A	60.93" x 14.64" x 16.86" (1548 x 372 x 428 mm)	3 lockers	12" x 12" x 12" (305 x 305 x 305 mm)	120	321	2.9	NEMA 5-15P
F2G-3-C	60.93" x 23.14" x 16.86" (1548 x 588 x 428 mm)	3 lockers	12" x 20.5" x 12" (305 x 521 x 305 mm)	120	417	3.7	NEMA 5-15P
F2G-32-A	60.93" x 14.64" x 31.67" (1548 x 372 x 804 mm)	6 lockers	12" x 12" x 12" (305 x 305 x 305 mm)	120	627	5.5	NEMA 5-15P
F2G-32-C	60.93" x 23.14" x 31.67" (1548 x 588 x 804 mm)	6 lockers	12" x 20.5" x 12" (305 x 521 x 305 mm)	120	819	7.1	NEMA 5-15P

### CORD LOCATION

Operator side, bottom left corner.

### PLUG CONFIGURATIONS

#### NEMA 5-15P



### PRODUCT SPECS

#### Flav-R 2-Go® Locker System

The Locker System shall be a Flav-R 2-Go® Model ... , rated at ... volts, and ... watts, by the Hatco Corporation, Milwaukee, WI 53234 U.S.A.

The lockers shall consist of magnetically locked hinged doors, heated base, a 10" (254 mm) touchscreen controller on one or both sides of the unit, a Power on/off

switch, LED lighting and a 6' (1829 mm) cord with plug attached.

Warranty consists of 24/7 parts and service assistance (U.S. and Canada only).

**HATCO CORPORATION** | P.O. Box 340500 Milwaukee, WI 53234-0500 U.S.A.  
 (800) 558-0607 | (414) 671-6350 | [www.hatcocorp.com](http://www.hatcocorp.com) | [support@hatcocorp.com](mailto:support@hatcocorp.com)