

# Champion®

The Dishwashing Machine Specialists

Project \_\_\_\_\_  
Item No. \_\_\_\_\_  
Quantity \_\_\_\_\_

## STANDARD FEATURES

- **ENERGY STAR® Qualified**
- **NEW Exclusive** Built-in booster configured for both 40° and 70° Rise
- **NEW Exclusive** Field convertible from three to single phase or from straight to corner operation
- Rinse Sentry – ensures 180°F final rinse
- Auto start – starts unit when hood is closed
- High efficiency 1 HP pump
- Up to 53 racks per hour
- Self draining pump
- Automatic tank fill
- Detergent/chemical connections
- Interchangeable upper and lower spray arm
- Automatic drain valve – drains wash tank when power is off
- Vent fan control
- Bottom mounted digital controls
- PRV (Pressure Reducing Valve)
- Sloped hood keeps hot vapors away from operator
- Standard and Heavy Duty wash cycles



## Genesis

DH5000 Single Source Gas Hood-type Dishwashing Machine



# GENESIS



GENESIS HOOD-TYPE

## OPTIONS & ACCESSORIES

- Drain Water Tempering Kit
- Direct Vent Option with Fan
- Racks
  - Peg
  - Flat
- Door Interlock
- Corner Operation Splash Baffle

## SPECIFIER STATEMENT

Specified unit will be Champion model Genesis, DH5000 single source gas hood-type dishwashing machine.

Features sloped hood, electronic controls, Rinse Sentry, Auto start, interchangeable stainless steel wash and rinse arms, up to 53 racks/hr., 0.83 US gals/rack.

1 year parts and labor warranty.

Champion Industries, Inc.  
3765 Champion Blvd., Winston-Salem, NC 27105  
Tel: 336/661-1556 Fax: 336/661-1979  
[www.championindustries.com](http://www.championindustries.com)

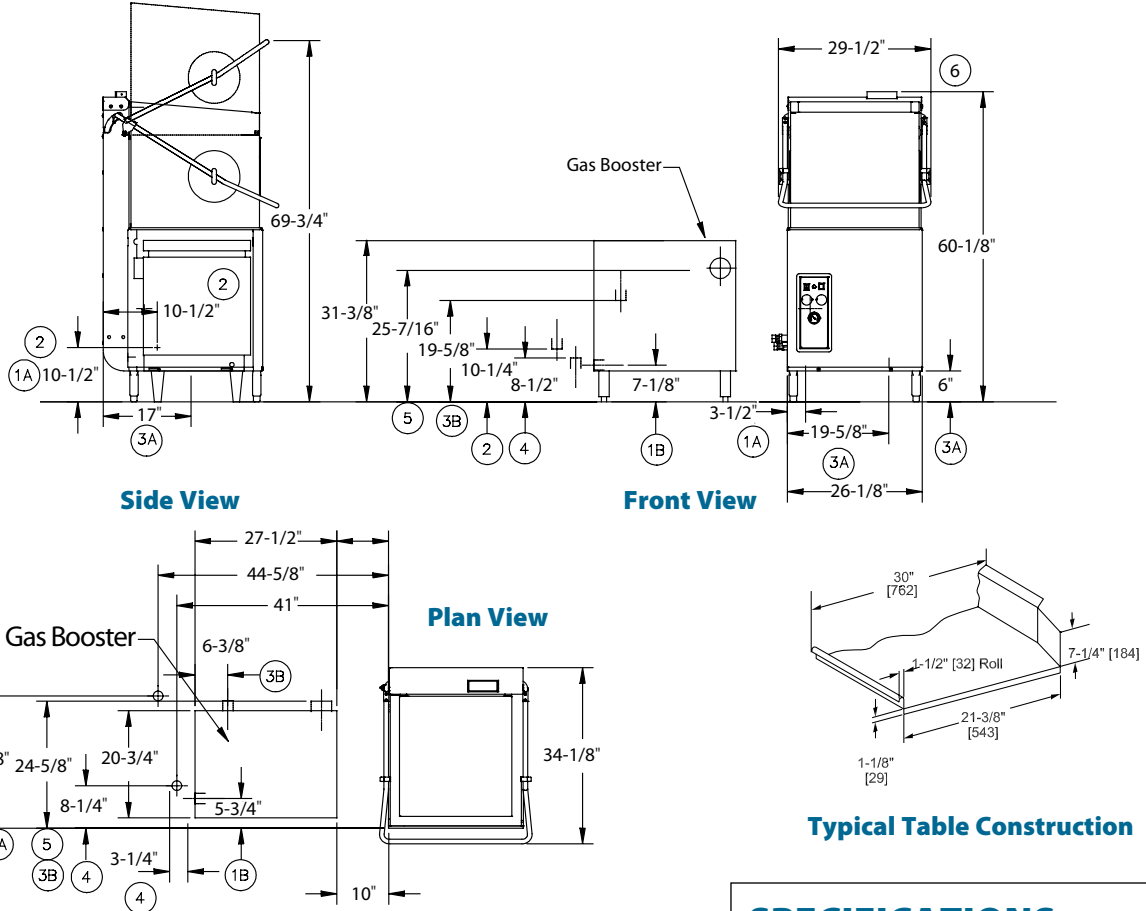
# Champion®

The Dishwashing Machine Specialists

DH5000 Single Source Gas Hood-type Dishwashing Machine

Shipping weight crated: 300 lbs.

Dimensions shown in inches and [mm]



Utilities	
<b>1 Electrical</b>	Machine Connection (See Electrical Box) Gas Booster Connection 15 AMPs 120V/60/1
<b>2 Hot Water</b>	3/4" NPT Hot Water 140°F for 40°F Rise 3/4" NPT Hot Water 110°F for 70°F Rise 20-22 PSI Flow pressure
<b>3 Drain</b>	2" OD Machine Drain Connection 3/4" NPT Relief Valve to Open Drain 1/2" NPT Vent to Open Drain
<b>4 Natural Gas</b>	40°F Rise Requires 58,000BTU/hr 70°F Rise Requires 105,000BTU/hr PMG-60 Requires 1/2" NPT PMG-100 Requires 3/4" NPT See Gas Piping Note
<b>5 Gas Flue Exhaust</b>	See Gas Flue Ventilation Note 4" Diameter Rear of Booster
<b>6 Exhaust</b>	250 CFM Hood Required

**Warning:** Plumbing, electrical connections should be made by qualified personnel who will observe all the applicable plumbing, sanitary and safety codes and the National Electrical Code.

Voltage	Rated Amps	Minimum Supply Circuit Ampacity	Maximum Overcurrent Protective Device
208-240/60/1	15	20	20
208-240/60/3	8	15	15
460-480/60/3	4	15	15

## SPECIFICATIONS

### Capacities

Racks per hr. (NSF rated)	53
Wash tank (gal.)	9.5

### Motor horsepower

1 HP

### Water consumption

Gal. per hr. (max. use)	44
Gal. per rack	0.83

### Temperature °F

Wash	150
Rinse	180

### Gas Heating

PMG-60 (40°F rise)	58,000 BTU/hr
PMG-100 (70°F rise)	105,000 BTU/hr

### Time cycle in seconds

	Standard	Extended
Wash	35	65
Rinse	10	10
Sanitary Dwell	15	15
Total cycle	60	90

\*USGBC\* and related logo is a trademark owned by the U.S. Green Building Council and is used by permission.

Due to an ongoing value analysis program at Champion, specifications contained in this catalog are subject to change without notice.