

Champion®

The Dishwashing Machine Specialists

Project _____

Item No. _____

Quantity _____

STANDARD FEATURES

- **ENERGY STAR® Qualified**
- **Exclusive DualRinse Technology**
- Dual-pawl cradle drive system
- One-piece cast stainless steel upper & lower spray arm assemblies
- Internal removable scrap basket and three-piece scrap screen
- Standard vertical opening accommodates 18" x 26" sheet pans
- Wide leakproof swing out insulated hinged doors on wash tank
- Anti-jam conveyor drive system
- Energy Sentinel (Idle pump shut-off)
- Convenient top-mounted controls
- Automatic tank fill
- Door safety switch
- Never leak, ball valve drain closure
- Enclosure panels (front and sides)
- Stainless steel heavy-gauge construction, including base and feet
- Electric tank heat
- Wash pump 2 Hp motor
- Stainless steel pump and impeller
- Single-point electrical connection
- Vent fan control switch
- Self-diagnostic controls
- Stainless steel rear manifolds

PREWASH MODELS ONLY

- External prewash scrap basket
- Prewash pump 1 Hp motor
- 22" Prewash
- 26" Prewash
- 36" Prewash

*The DualRinse feature offers the
Lowest Water/Utility/Chemical Consumption
while circulating a generous
300+ gallons of water for
Consistently Good Results*

Champion Industries, Inc.
2674 N. Service Road,
Jordan Station, Ontario, Canada L0R 1S0
Tel: 905/562-4195 Fax: 905/562-4618

CH070

(1M) 7/14 Printed in U.S.A.



DualRinse™ 54 DR SERIES

54 DR, 76 DRPW, 80 DRFFPW, 90 DRHDPW

High-Temperature
Rack Conveyor Dishwashing Machines with
Dual Stage Rinse



Model 54 DR Shown with
Vent Cowl and Damper Option

*Photo is for general visual
representation only. Please
refer to specifications for
the latest detailed product
information.*

SPECIFIER STATEMENT

Specified unit will be a Champion model 54 DR Series high temperature dual rinse rack conveyor dishwashing machine. Features top mounted control cabinet; upper and lower one-piece stainless steel spray arm assemblies, removable internal scrap basket with three-piece scrap screen. Swing out insulated front access door. Anti-jam conveyor drive system.

1 year parts and labor warranty.



Champion Industries, Inc.
3765 Champion Blvd., Winston-Salem, NC 27105
Tel: 336/661-1556 Fax: 336/661-1979
www.championindustries.com



54 DR SERIES RACK CONVEYOR

54 DR SERIES

54 DR, 76 DRPW, 80 DRFFPW, 90 DRHDPW

High-Temperature
Rack Conveyor Dishwashing Machine with
Dual Stage Rinse

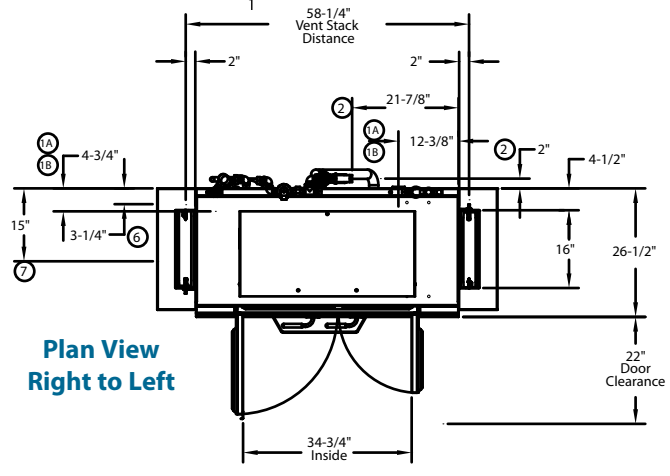
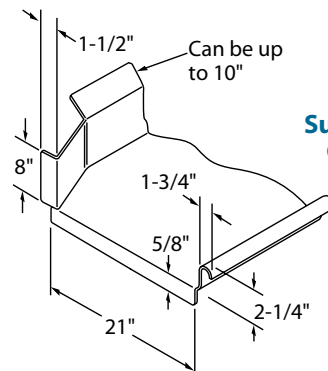
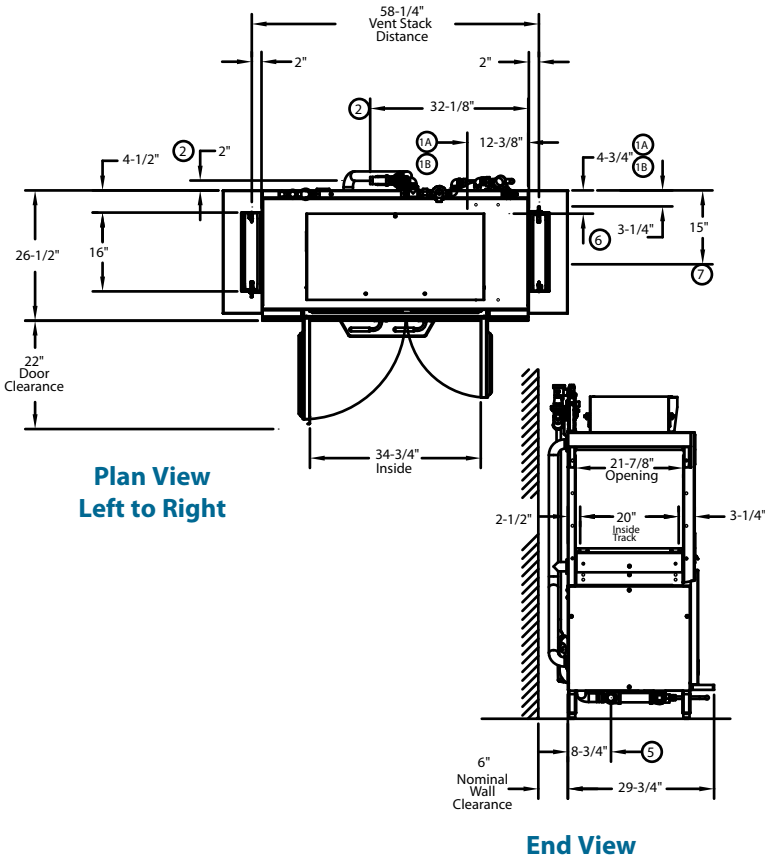
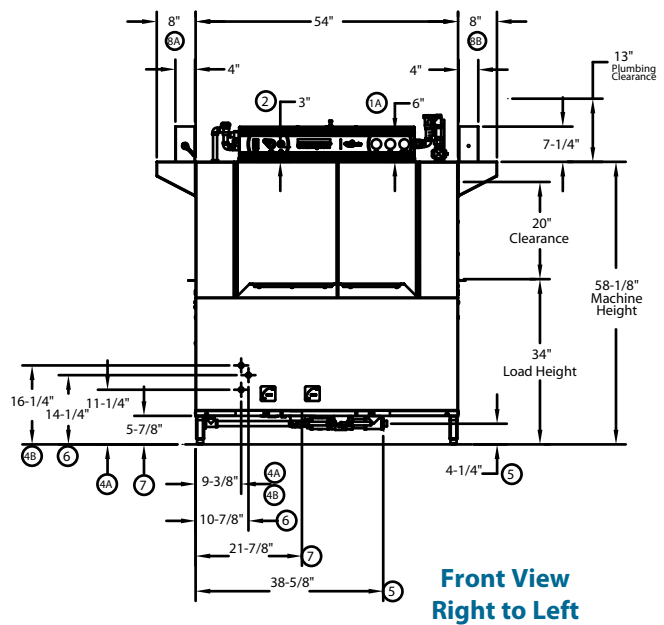
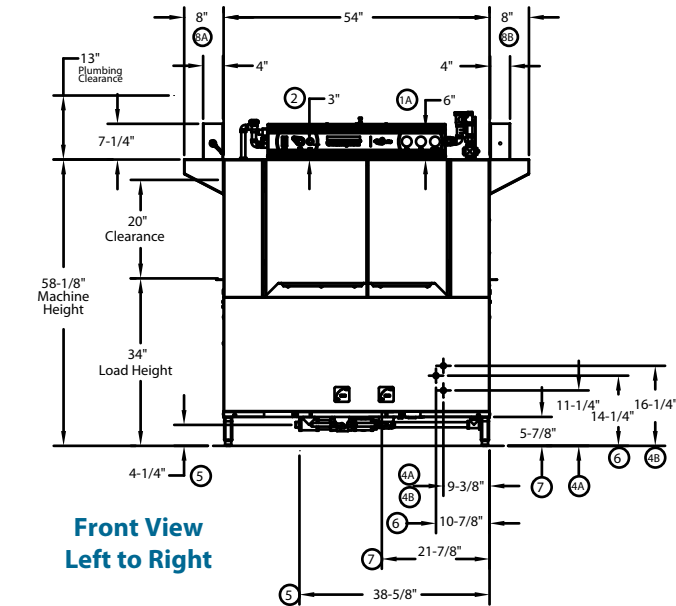
Champion®

The Dishwashing Machine Specialists

Dimensions shown in inches [mm]

MODEL 54 DR

Shipping weight crated: **850 lbs.**



Due to an ongoing value analysis program at Champion, specifications contained in this catalog are subject to change without notice.

Champion Industries, Inc., 3765 Champion Blvd., Winston-Salem, NC 27105 • 336/661-1556 • Fax: 336/661-1979 • www.championindustries.com
2674 N. Service Road, Jordan Station, Ontario, Canada L0R 1S0 • 905/562-4195 • Fax: 905/562-4618

54 DR SERIES

54 DR, 76 DRPW, 80 DRFFPW, 90 DRHDPW

High-Temperature
Rack Conveyor Dishwashing Machine with
Dual Stage Rinse

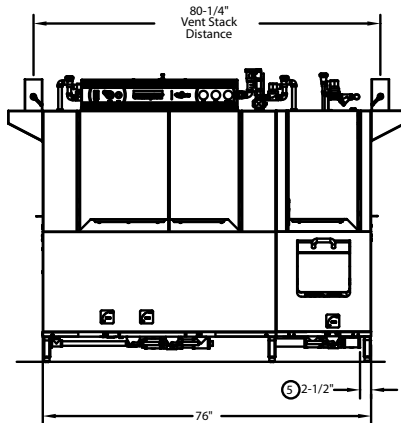
Champion[®]

The Dishwashing Machine Specialists

Dimensions shown in inches [mm]

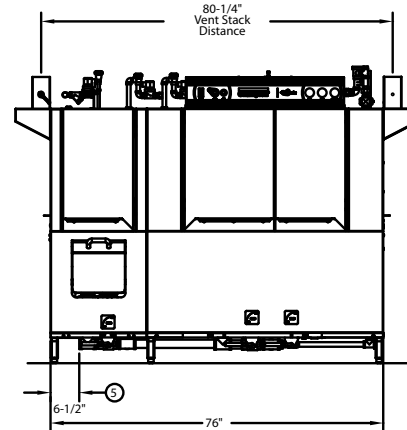
MODEL 76 DRPW WITH 22" PREWASH

Shipping weight crated: **923 lbs.**



Front View

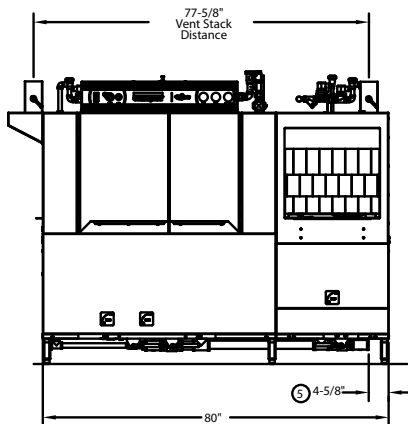
Right to Left



Left to Right

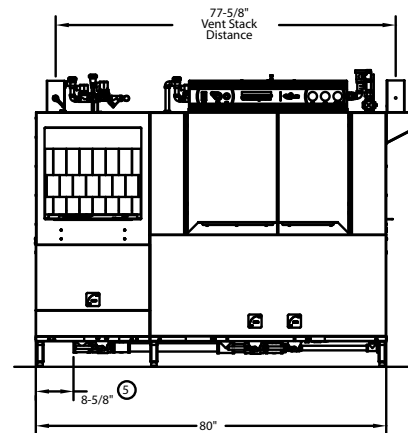
MODEL 80 DRFFPW WITH 26" FRONT FREED PREWASH

Shipping weight crated: **975 lbs.**



Front View

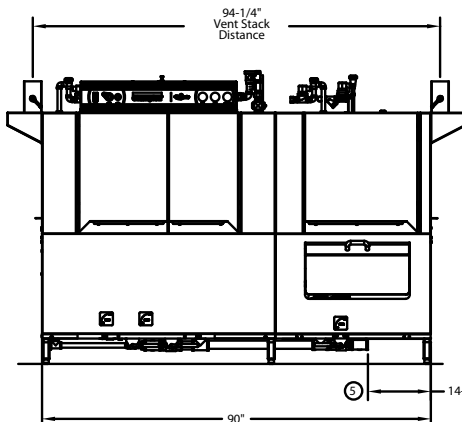
Right to Left



Left to Right

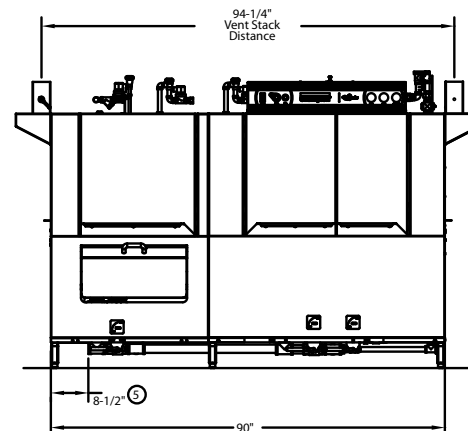
MODEL 90 DRHDPW WITH 36" HEAVY DUTY PREWASH

Shipping weight crated: **1050 lbs.**



Front View

Right to Left



Left to Right

NOTE: For complete machine dimensions, plan view, end view, specifications and table construction see 54 DR drawing page.

Champion®

The Dishwashing Machine Specialists

54 DR SERIES

54 DR, 76 DRPW, 80 DRFFPW, 90 DRHDPW

High-Temperature
Rack Conveyor Dishwashing Machine with
Dual Stage Rinse

SPECIFICATIONS

Capacity

| | |
|---------------------------|-----|
| Racks per hr. (NSF rated) | 266 |
| Wash tank (US gal.) | 21 |
| Conveyor speed (ft/min.) | 7.4 |

Motor Horsepower

| | |
|------------|------|
| Drive | 1/6 |
| Wash | 2 |
| Dual Rinse | 1/10 |

Water Consumption

| | |
|----------------------------|-----|
| US Gal. per hr. (max. use) | 115 |
| US Gal. per rack | .43 |

Heating

| | |
|--|-----|
| Tank Heat, electric (kW) | 15 |
| DualRinse Tank Heat, electric (kW) | 3 |
| Tank heat, steam (lbs./hr. required at 15 PSI flow pressure) | 75 |
| Electric booster (built-in) (kW supplied for 40°F rise) | 12 |
| Electric booster (built-in) (kW supplied for 70°F rise) | 22 |
| Steam booster (lbs./hr. required for 40°F rise) | 60 |
| Steam booster (lbs./hr. required for 70°F rise) | 110 |

*Booster heaters completely inter plumbed,
Controls are interwired*

Venting

| | |
|--------------------------|-----|
| Load end (minimum CFM) | 200 |
| Unload end (minimum CFM) | 400 |

Standard 20" x 20" rack complement

| | |
|------|---|
| Peg | 2 |
| Flat | 1 |



NEW Exclusive Digital Gauges



NEW Durable Stainless Steel Start/Stop Switches



One-Piece Cast Stainless Steel Spray Assembly



Stainless Steel Built-in Nested Booster



Two-Piece Scrap Screen



Built-in Scrap Basket for ease of cleaning

LESS IS MORE WITH CHAMPION'S DUAL RINSE MODEL 54 DR SERIES

Check our NSF listings and you'll see the Dual Rinse offers the lowest water consumption in its class with less than .43 US gallons per rack. This ENERGY STAR® qualified product brings energy savings. Our 40°F rise booster only requires 12 kW and 70°F rise is only 22 kW.

What the numbers don't show you is the advantage that our Dual Rinse technology provides by making sure all wares are fully rinsed with more than 300 gallons per hour while actual fresh water consumption is only 115 gallons per hour.

54 DR SERIES

54 DR, 76 DRPW, 80 DRFFPW, 90 DRHDPW

High-Temperature
 Rack Conveyor Dishwashing Machine with
Dual Stage Rinse

Champion®

The Dishwashing Machine Specialists

Dimensions shown in inches

| Utilities | |
|-----------|--|
| 1 | Electrical Connection A Machine electrical connection B Booster electrical connection |
| 2 | Hot Water Main connection 3/4" NPT |
| 3 | Cold Water Contact Factory |
| 4 | Hot Water Tank A Heat inlet connection 1" NPT B Heat return connection 1" NPT |
| 5 | Drain Connection 1 1/2" NPT |
| 6 | Steam Inlet connection 1 1/4" NPT |
| 7 | Condensate Connection 1" NPT return to boiler |
| 8 | Vents A Stack connection - Load end 200 CFM @ 1/4" static pressure B Stack connection - Unload end 400 CFM @ 1/4" static pressure |

Warning: Plumbing and electrical connections should be made by qualified personnel who will observe all the applicable plumbing, sanitary, safety codes and the National Electrical Code.

Note: Water Hammer Arrestor (meeting ASSE-1010 standard or equivalent) to be supplied (by others) in common water supply line at service connection.

Plumbing Notes: Because of the variation in house-supplied steam and water pressures, steam and water pressure regulating valves (PRVs) may be needed. (Water PRV is standard on machines with booster.) The PRVs can either be purchased from Champion or obtained locally.

Venting Notes: Fabricated duct size: 3-7/8" x 15-7/8" (Outside dimensions)

54 DR Only
TABLE A - Machine Connection

| Machine Only | | | | |
|--------------|------------|--|---------------------------------------|--|
| Elec. Specs. | Rated Amps | Minimum Supply Ckt. Conductor Ampacity | Maximum Overcurrent Protective Device | |
| 208/60/3 | 70 | 90 | 90 | |
| 240/60/3 | 62 | 80 | 80 | |
| 480/60/3 | 31 | 40 | 40 | |
| 575/60/3 | 24 | 35 | 35 | |

54 DR Only
TABLE B - Machine & Booster Connection

| 40°F/22°C Rise – 12 kW Machine and Electric built-in booster | | | | |
|---|------------|--|---------------------------------------|--|
| Elec. Specs. | Rated Amps | Minimum Supply Ckt. Conductor Ampacity | Maximum Overcurrent Protective Device | |
| 208/60/3 | 104 | 150 | 150 | |
| 240/60/3 | 91 | 125 | 125 | |
| 480/60/3 | 46 | 60 | 60 | |
| 575/60/3 | 37 | 50 | 50 | |

| 70°F/39°C Rise – 22 kW Machine and Electric built-in booster | | | | |
|---|------------|--|---------------------------------------|--|
| Elec. Specs. | Rated Amps | Minimum Supply Ckt. Conductor Ampacity | Maximum Overcurrent Protective Device | |
| 208/60/3 | 131 | 175 | 175 | |
| 240/60/3 | 115 | 150 | 150 | |
| 480/60/3 | 58 | 80 | 80 | |
| 575/60/3 | 47 | 60 | 60 | |

| Machine and steam built-in booster | | | | |
|------------------------------------|------------|--|---------------------------------------|--|
| Elec. Specs. | Rated Amps | Minimum Supply Ckt. Conductor Ampacity | Maximum Overcurrent Protective Device | |
| 208/60/3 | 25 | 35 | 35 | |
| 240/60/3 | 22 | 30 | 30 | |
| 480/60/3 | 12 | 15 | 15 | |
| 575/60/3 | 9 | 15 | 15 | |

76 DRPW, 80 DRFFPW, 90 DRHDPW
TABLE A - Machine Connection

| Machine Only | | | | |
|--------------|------------|--|---------------------------------------|--|
| Elec. Specs. | Rated Amps | Minimum Supply Ckt. Conductor Ampacity | Maximum Overcurrent Protective Device | |
| 208/60/3 | 74 | 100 | 100 | |
| 240/60/3 | 65 | 90 | 90 | |
| 480/60/3 | 33 | 45 | 45 | |
| 575/60/3 | 25 | 35 | 35 | |

76 DRPW, 80 DRFFPW, 90 DRHDPW
TABLE B - Machine & Booster Connection

| 40°F/22°C Rise – 12 kW Machine and Electric built-in booster | | | | |
|---|------------|--|---------------------------------------|--|
| Elec. Specs. | Rated Amps | Minimum Supply Ckt. Conductor Ampacity | Maximum Overcurrent Protective Device | |
| 208/60/3 | 108 | 150 | 150 | |
| 240/60/3 | 94 | 125 | 125 | |
| 480/60/3 | 47 | 60 | 60 | |
| 575/60/3 | 37 | 50 | 50 | |

| 70°F/39°C Rise – 22 kW Machine and Electric built-in booster | | | | |
|---|------------|--|---------------------------------------|--|
| Elec. Specs. | Rated Amps | Minimum Supply Ckt. Conductor Ampacity | Maximum Overcurrent Protective Device | |
| 208/60/3 | 136 | 175 | 175 | |
| 240/60/3 | 118 | 150 | 150 | |
| 480/60/3 | 60 | 80 | 80 | |
| 575/60/3 | 47 | 60 | 60 | |

| Machine and steam built-in booster | | | | |
|------------------------------------|------------|--|---------------------------------------|--|
| Elec. Specs. | Rated Amps | Minimum Supply Ckt. Conductor Ampacity | Maximum Overcurrent Protective Device | |
| 208/60/3 | 29 | 40 | 40 | |
| 240/60/3 | 26 | 35 | 35 | |
| 480/60/3 | 12 | 15 | 15 | |
| 575/60/3 | 10 | 15 | 15 | |

Contact factory for single phase information.

Due to an ongoing value analysis program at Champion, specifications contained in this catalog are subject to change without notice.

Champion Industries, Inc., 3765 Champion Blvd., Winston-Salem, NC 27105 • 336/661-1556 • Fax: 336/661-1979 • www.championindustries.com
 2674 N. Service Road, Jordan Station, Ontario, Canada L0R 1S0 • 905/562-4195 • Fax: 905/562-4618

54 DR SERIES

54 DR, 76 DRPW, 80 DRFFPW, 90 DRHDPW

High-Temperature
Rack Conveyor Dishwashing Machine with
Dual Stage Rinse

Champion®

The Dishwashing Machine Specialists

OPTIONS & ACCESSORIES

- Tank heat: choice of steam coil, steam injector, hot water coil
- 2 Hp prewash motor
- 48" Blower-dryer - steam or electric
- Booster Heaters (completely interplumbed, controls are interwired)
 - Steam: 40°F or 70°F rise
 - Electric: 12 kW (40°F rise) (built-in only)
 - Electric: 22 kW (70°F rise) (built-in only)
- Heat Recovery
- Cantilever sideloader (with or without hood) for 90° load operation
 - 24" Sideload
 - 30" Sideload (accepts sheet pans)
- Extended pawl bar (extended drive unit) for use with load tabling
- Racks: peg or flat racks (specify type)
- Steam pressure regulating valve (unmounted)
- Table limit switch, unmounted (recommended on all rack conveyor installations)
- Vent cowl, stainless steel with 7" stack and locking damper
- Extended vent hood, stainless steel with 7" stack and locking damper
- Water pressure regulating valve (unmounted) (standard with booster)
- Two-point electrical connection
- Water hammer kit
- Drain tempering kit
- Vertical clearance through machine: 24" (instead of standard 20") for larger ware
- Model CCT 180 (180° Corner Conveyor Table)
- Model CCT 90 (90° Corner Conveyor Table)
- Model RCT 64 or RCT 84 Roller Conveyor Table (See factory for custom length)
- Splash shields



NEW CCT 90

90° Corner Conveyor Table (shown)

NEW CCT 180

180° Corner Conveyor Table
also available



**Cantilever
Sideloader**
(No hood)



Model RCT 64 or RCT 84

Roller
Conveyor Table

Due to an ongoing value analysis program at Champion, specifications contained in this catalog are subject to change without notice.
*USGBC® and related logo is a trademark owned by the U.S. Green Building Council and is used by permission.

Champion Industries, Inc., 3765 Champion Blvd., Winston-Salem, NC 27105 • 336/661-1556 • Fax: 336/661-1979 • www.championindustries.com
2674 N. Service Road, Jordan Station, Ontario, Canada L0R 1S0 • 905/562-4195 • Fax: 905/562-4618