

Project _____

Item Number _____

Quantity _____

Fixed Rack Oven



Gas Fixed Rack Bakery Oven

- GFRBO
Roll-In Fixed Rack Oven
18x26" pan size



Bakery Oven

Features:

- E-Drive touch screen control board with 100 programs
- Electromagnet door is simple to use, secure, and reliable.
- Oven temperature is fast rising due to the four fans that span from top to bottom.
- Having these four fans allows the oven to heat the product throughly without having to rotate the rack.
- Double glass door with air ventilation are easy to clean.
- Easy Mauntenance with electrical box and all components are accessible form the front of the oven.
- No tools are required to remove the hood and the door gasket can be replaced without having to use silcon glue.

Options:

- Fan speed control
- Back up control
- Additional racks
- Half load
- Left or right hinges
- Available in natural gas or propane

Warranty:

- Two year, on-site parts and labor

Univex Corporation

Warranty Details

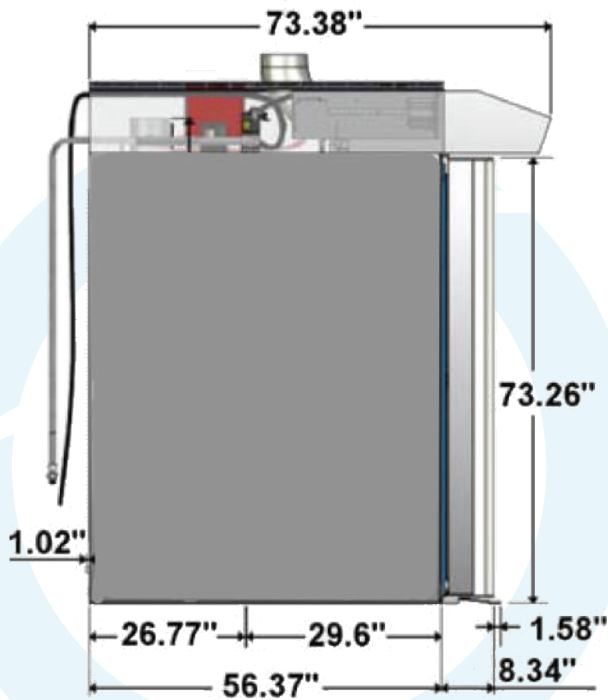
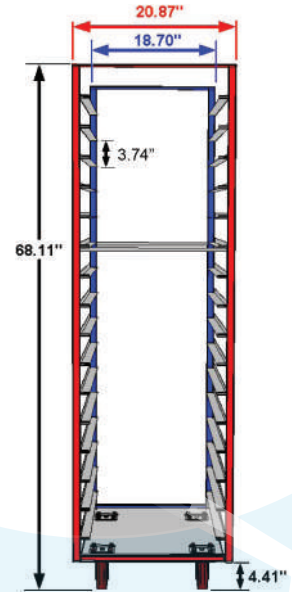
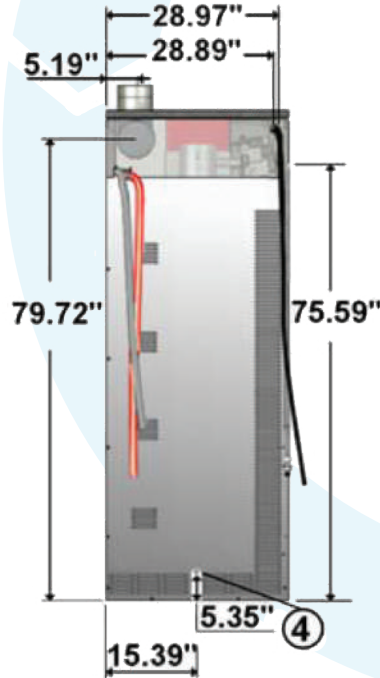
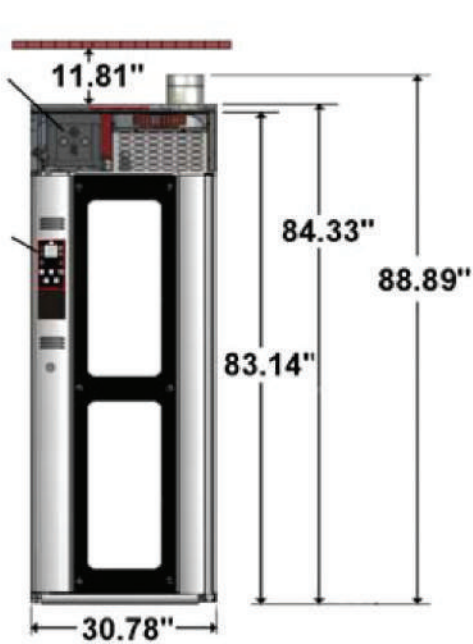
The EFRBO carries a two year, on-site parts and labor warranty against any flaws in materials and workmanship. This period begins on the date of the purchase and, provided the unit is used in accordance with our instructions, is in full effect for two year from that date. Any work performed under this warranty must be performed between the hours of 8am and 5pm Monday through Friday. Univex will not pay for overtime charges for work performed other then during normal business hours. Damage incurred in transit or from installation error, accident, alteration or misuse is not covered. Univex shall not be liable for any consequential compensatory, incidental, or special damages. Contact the Univex service department for any warranty claims. Ovens with steam may require water filtration depending upon water quality of oven location. If scaling or damage is caused by too hard or too soft unfiltered water warranty may be voided.



We Raise the Bar. We Set the Standard.

Gas Fixed Rack Oven

Gas



Dimensions:

Width 30.78"
 Depth 56.37"
 Height 84"

Weight: 1697 lbs

Voltage: 220/60/3

Max Amp Draw: 7.49 amp

Pressure Inlet: Natural Gas
Propane



Univex Corporation
www.Univexcorp.com

3 Old Rockingham Rd
 Salem, NH 03079
 United States of America

TEL: 800.258.6358
 INTL TEL: 603.893.6191
 FAX: 800.356.5614
 INTL FAX: 603.893.1249