



Project \_\_\_\_\_

Item # \_\_\_\_\_

Quantity \_\_\_\_\_

# Flav-R-Savor® Tall Humidified Holding Cabinets

Models: FSHC-12W1, -12W2,  
FSHC-17W1, -17W1D, -17W2 -17W2D

The Hatco Flav-R-Savor® Tall Humidified Holding Cabinets are capable of holding a great variety of hot food items at optimum serving temperatures. Thermostatically-controlled heat and humidity safely keeps food at uniform temperatures and ideal environment. Foods stay fresh longer with less waste, and an all stainless steel construction gives optimal strength and support.

## Standard features

- Models are available with a solid back or a pass-through design, with a full view Lexan® door full perimeter gasket and 5" (127 mm) casters (two swivel with wheel locks and two rigid).
- Electronic controls with digital read out temperature range of 80°-200°F (27°-93°C), while the lower temperatures will accommodate proofing.
- Fully insulated doors, sidewalls, top, bottom, and control panel assist in retaining heat.
- Right- or left-hand hinged doors with magnetic latch and heavy-duty plated hinges can be reversed in the field.
- FSHC-12W models have 12-tray capacity on 3" (76 mm) centers, adjustable on 1.5" (38 mm) centers, with 12 universal tray slides, designed to accommodate up to 12 sheet pans, or up to 24 steam table pans.
- FSHC-17W models have 17-tray capacity on 3" (76 mm) centers, adjustable on 1.5" (38 mm) centers, with 17 universal tray slides designed to accommodate up to 17 sheet pans, or up to 34 steam table pans.
- Models shipped with 10' cord and plug, 5" (127 mm) casters, and universal slides.



## Options (available at time of purchase only)

- Deluxe Package (Includes flush mount handles and full perimeter bumper)
- Transport Package (Includes stand-off handles, full perimeter bumper, heavy-duty 5" x 2" [127 x 51 mm] casters [two swivel with wheel locks and two rigid], and flush mount transport latch)
- Cord Wind (for transport package only)
- Upper cord location
- Full perimeter bumper
- Stainless Steel Door (In lieu of Lexan® door)
- Stainless Steel Dutch Doors (In lieu of Lexan® Dutch doors) (FSHC-17W models only)

## Accessories

- Extra Pan Slides
- Food Pans



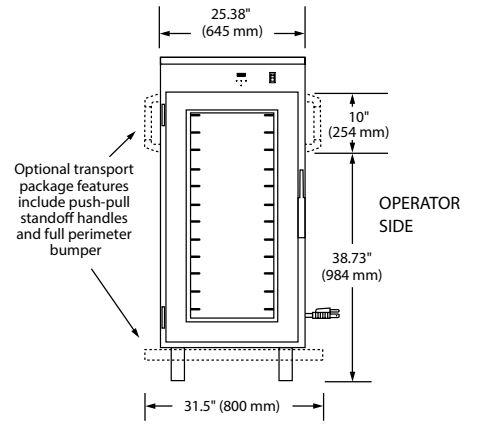
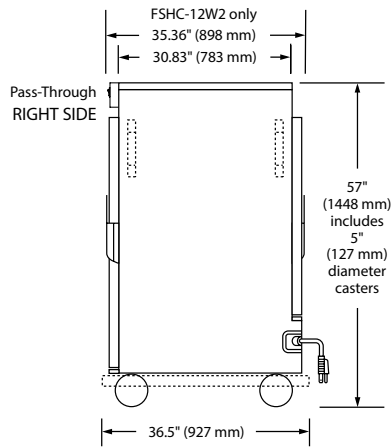
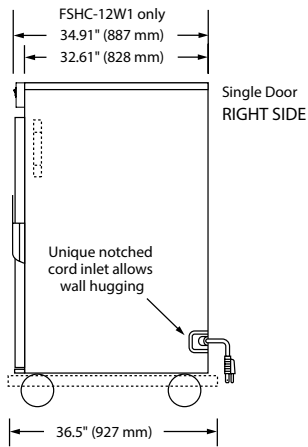
**HATCO CORPORATION** | P.O. Box 340500 Milwaukee, WI 53234-0500 U.S.A. | (800) 558-0607 | (414) 671-6350  
 Fax: (800) 543-7521 | Int'l. Fax: (414) 671-3976 | www.hatcocorp.com | email: equipsales@hatcocorp.com



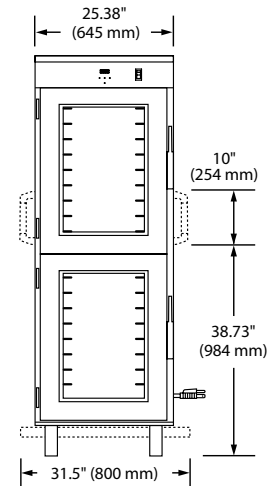
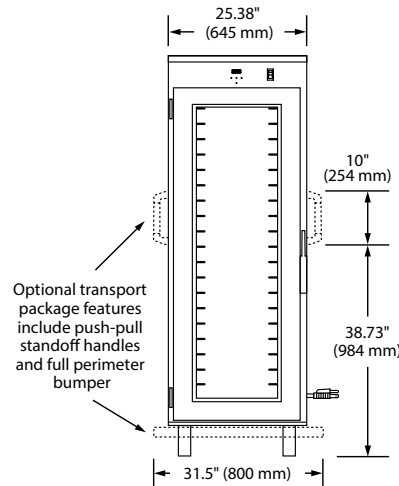
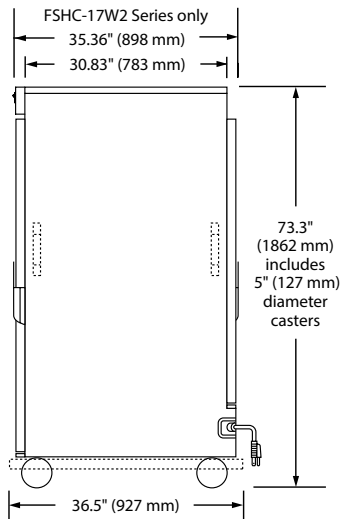
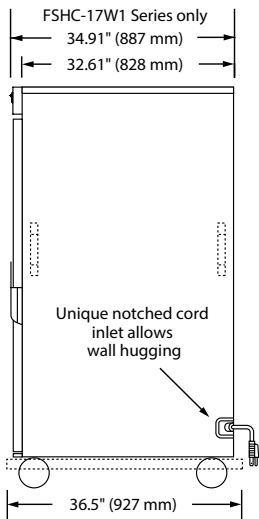
# Flav-R-Savor® Tall Humidified Holding Cabinets

Models: FSHC-12W1, -12W2, -17W1, -17W1D, -17W2, -17W2D

## FSHC-12W SERIES



## FSHC-17W SERIES

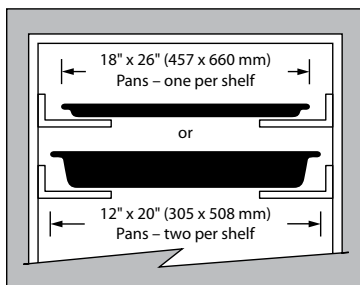


Single Door  
RIGHT SIDE

Pass-Through  
RIGHT SIDE

Single Door  
OPERATOR SIDE

Single Opening  
w/ 2 Dutch Doors  
OPERATOR SIDE



### Pan Capacity

FSHC-12W: 12-tray capacity on 3" (76 mm) centers, adjustable on 1.5" (38 mm) centers, with universal slides designed to accommodate up to 12 sheet pans, or up to 24 steam table pans.

FSHC-17W: 17-tray capacity on 3" (76 mm) centers, adjustable on 1.5" (38 mm) centers, with universal slides designed to accommodate up to 17 sheet pans, or up to 34 steam table pans.



# Flav-R-Savor® Tall Humidified Holding Cabinets

Models: FSHC-12W1, -12W2, -17W1, -17W1D, -17W2, -17W2D

## SPECIFICATIONS FLAV-R-SAVOR® PORTABLE HOLDING CABINET

The shaded areas contain electrical information for International models

Model	Description	Dimensions (W x D x H) w/Casters	Volts	Hertz	Watts	Amps	Plug	Ship Weight*
FSHC-12W1	Single Lexan® Door	25.38"W x 34.91"D x 57"H (645 x 887 x 1448 mm)	120	60	1650	13.8	NEMA 5-15P <sup>▲</sup>	288 lbs. (131 kg)
			208-240	60	1573-2095	7.6-8.7	NEMA 6-15	288 lbs. (131 kg)
			220-240	50	1760-2095	8.0-8.7	CEE 7/7 Schuko or BS-1363 or No Plug	288 lbs. (131 kg)
FSHC-12W2	2 Lexan® Doors Pass-through	25.38"W x 35.36"D x 57"H (645 x 898 x 1448 mm)	120	60	1650	13.8	NEMA 5-15P <sup>▲</sup>	318 lbs. (144 kg)
			208-240	60	1573-2095	7.6-8.7	NEMA 6-15	318 lbs. (144 kg)
			220-240	50	1760-2095	8.0-8.7	CEE 7/7 Schuko or BS-1363 or No Plug	318 lbs. (144 kg)
FSHC-17W1	Single Lexan® Door	25.38"W x 34.91"D x 73.3"H (645 x 887 x 1862 mm)	120	60	1650	13.8	NEMA 5-15P <sup>▲</sup>	340 lbs. (154 kg)
			208-240	60	1573-2095	7.6-8.7	NEMA 6-15	340 lbs. (154 kg)
			220-240	50	1760-2095	8.0-8.7	BS-1363, or BS-1363 or No Plug	340 lbs. (154 kg)
FSHC-17W1D	Single Opening w/ 2 Dutch Doors	25.38"W x 34.91"D x 73.3"H (645 x 887 x 1862 mm)	120	60	1650	13.8	NEMA 5-15P <sup>▲</sup>	340 lbs. (154 kg)
			208-240	60	1573-2095	7.6-8.7	NEMA 6-15	340 lbs. (154 kg)
			50	1760-2095	8.0-8.7	BS-1363, or BS-1363 or No Plug	340 lbs. (154 kg)	
FSHC-17W2	2 Lexan® Doors Pass-Through	25.38"W x 35.36"D x 73.3"H (645 x 898 x 1862 mm)	120	60	1650	13.8	NEMA 5-15P <sup>▲</sup>	340 lbs. (154 kg)
			208-240	60	1573-2095	7.6-8.7	NEMA 6-15	340 lbs. (154 kg)
			50	1760-2095	8.0-8.7	BS-1363, or BS-1363 or No Plug	340 lbs. (154 kg)	
FSHC-17W2D	4 Lexan® Doors Pass-Through	25.38"W x 35.36"D x 73.3"H (645 x 898 x 1862 mm)	120	60	1650	13.8	NEMA 5-15P <sup>▲</sup>	340 lbs. (154 kg)
			208-240	60	1573-2095	7.6-8.7	NEMA 6-15	340 lbs. (154 kg)
			50	1760-2095	8.0-8.7	BS-1363, or BS-1363 or No Plug	340 lbs. (154 kg)	

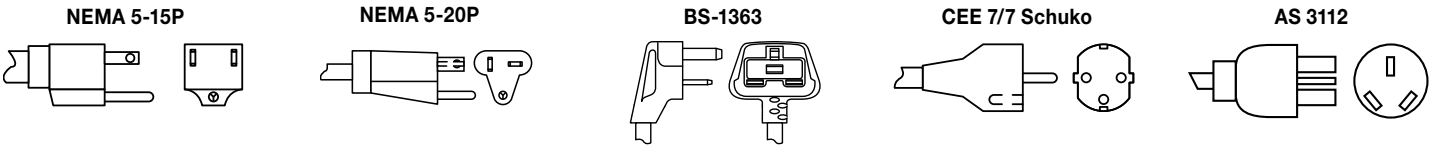
\* Shipping weight includes packaging.  
<sup>▲</sup> Canadian models use NEMA 5-20P.

**CABINET OPENING DIMENSIONS**  
 FSHC-12W: 22" W X 43.5" H (559 X 1105 mm)  
 FSHC-17W: 22" W X 59.75" H (559 X 1517 mm)

**WATER RESERVOIR CAPACITY**  
 2 gallons (7.5 liters).

**CORD LOCATION**  
 Facing controls, right-hand side panel, lower right corner.

### PLUG CONFIGURATIONS



### PRODUCT SPECS Flav-R-Savor® Portable Holding Cabinet

The Tall Humidified Holding Cabinet shall be a Flav-R-Savor® Model ... , rated at ... volts, and ... watts, by the Hatco Corporation, Milwaukee, WI 53234 U.S.A.

The Cabinet shall consist of stainless steel construction with ... door(s), universal slides on 3" (76 mm) centers (adjustable on 1.5" (38 mm) centers), insulated walls, 5" (127 mm) casters (two swivel with wheel locks and 2 rigid) and a 10' (3048 mm) cord

with plug attached. It shall include a water reservoir, electronic controls, and On/Off power switch.

Accessories shall include additional slides and sheet pans.

One year on-site parts and labor warranty, plus one additional year part-only warranty on all metal sheathed air heating elements, with 24/7 service (US and Canada only.)

**HATCO CORPORATION** | P.O. Box 340500 Milwaukee, WI 53234-0500 U.S.A. | (800) 558-0607 | (414) 671-6350  
 Fax: (800) 543-7521 | Int'l. Fax: (414) 671-3976 | www.hatcocorp.com | email: equipsales@hatcocorp.com