



Project \_\_\_\_\_

Item # \_\_\_\_\_

Quantity \_\_\_\_\_

# Glo-Ray® Heated Glass Merchandisers

Models: GR3SDS-27DCT, -27TCT  
GR3SDS-33DCT, -33TCT  
GR3SDS-39DCT, -39TCT

Hatco Glo-Ray® Heated Glass Merchandising Warmers are perfect for self-serve operations, designed specifically to hold hot wrapped or boxed product at optimum serving temperatures. Increasing holding capacities and impulse sales with a beautiful curved design that compliments any décor.

## Standard features

- Unique, patented heated glass shelves with infinite controls conduct heat to food product above and below
- Blanket-style heating elements in the hardcoated base and canopy are thermostatically-controlled
- LED lighting allows for optimum food product display with energy savings
- Attractive curved top design includes a built-in front sign holder (sign not included)
- Also comes with: tempered glass side panels, 2.5" (64 mm) legs, sign holder on upper canopy, thermostatically-controlled heated base and upper canopy, and comes standard in *Designer Black*



GR3SDS-27TCT  
in optional Glossy Gray  
and Shelf Sign Holders  
(signs not included)

## Options (available at time of purchase only)

### Designer Colors

- Non-standard colors are non-returnable – Black standard –
- Warm Red     Gray Granite     White Granite
  - Navy Blue     Hunter Green     Antique Copper

### Glossy Color

- Non-standard colors are non-returnable – Black standard –
- Glossy Gray

- Shelf Sign Holders, in lieu of Box Stops and Divider Rods – (Signs not included) – Color matches unit color –
  - 27" (686 mm) model – 27"W x 1<sup>7</sup>/<sub>8</sub>"H x <sup>3</sup>/<sub>64</sub>"D (686 x 48 x 1 mm) sign
  - 33" (838 mm) model – 33"W x 1<sup>7</sup>/<sub>8</sub>"H x <sup>3</sup>/<sub>64</sub>"D (838 x 48 x 1 mm) sign
  - 39" (991 mm) model – 39"W x 1<sup>7</sup>/<sub>8</sub>"H x <sup>3</sup>/<sub>64</sub>"D (991 x 48 x 1 mm) sign

## Accessories

- 4" (102 mm) Adjustable Legs
- Additional Stainless Steel Divider Rods (not for use with Optional Sign Holders)

For operation, location and safety information, please refer to the Installation & Operating Manual.

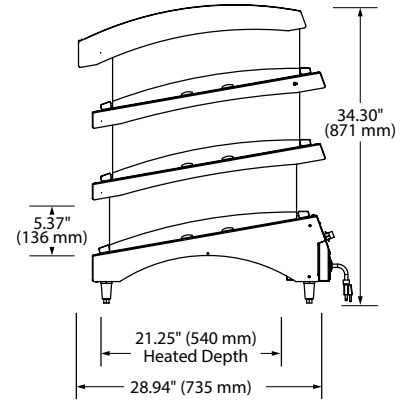
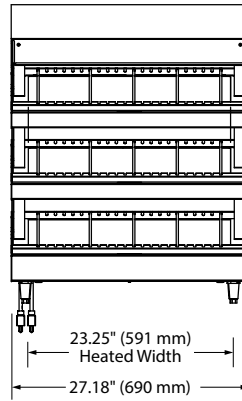
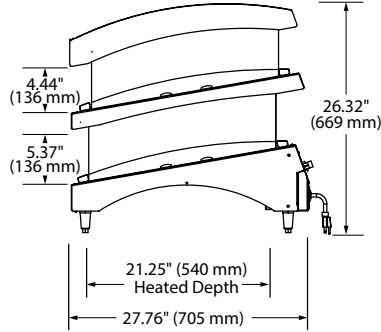
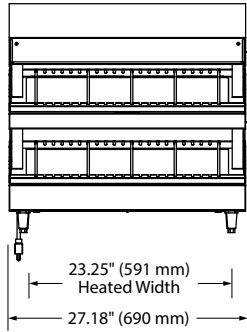


HATCO CORPORATION | P.O. Box 340500 Milwaukee, WI 53234-0500 U.S.A.  
(800) 558-0607 | (414) 671-6350 | www.hatcocorp.com | support@hatcocorp.com



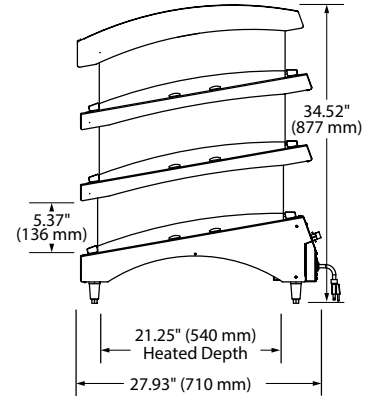
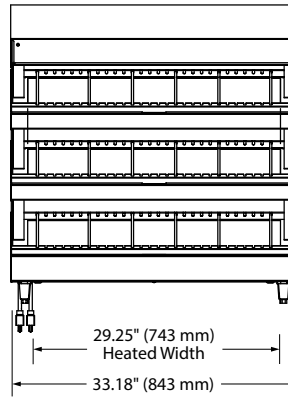
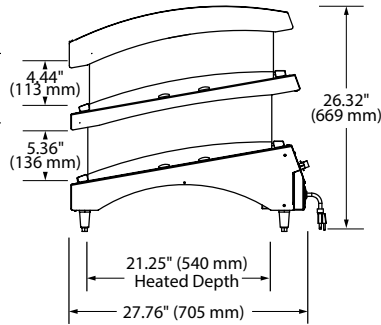
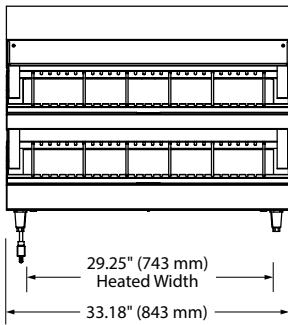
# Glo-Ray® Heated Glass Merchandisers

Models: GR3SDS-27DCT, -27TCT, -33DCT, -33TCT, -39DCT, -39TCT



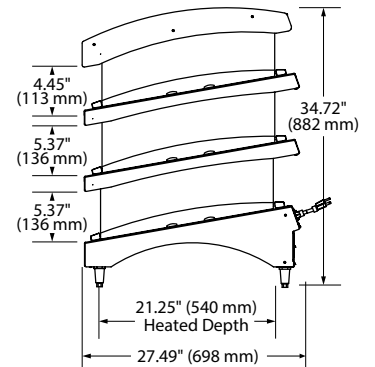
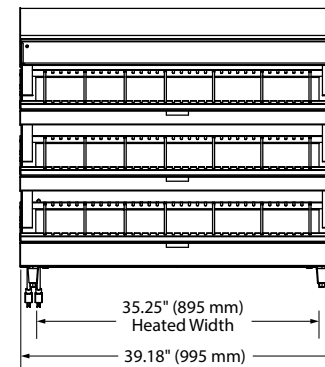
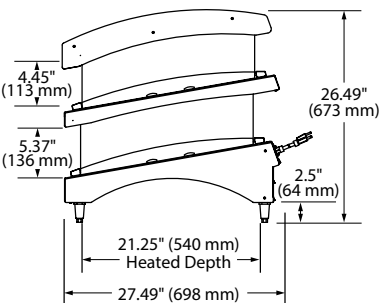
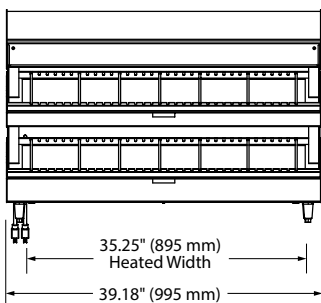
**GR3SDS-27DCT**

**GR3SDS-27TCT**



**GR3SDS-33DCT**

**GR3SDS-33TCT**



**GR3SDS-39DCT**

**GR3SDS-39TCT**



# Glo-Ray® Heated Glass Merchandisers

Models: GR3SDS-27DCT, -27TCT, -33DCT, -33TCT, -39DCT, -39TCT

## SPECIFICATIONS

### Glo-Ray® Merchandising Warmer - Dual Shelf

The shaded areas contain electrical information for International models

| Model                     | No. of Divider Rods | Dimensions (W x D x H)                           | Useable Heated Shelf Space          | Volts       | Watts          | Amps        | Plug                                     | Ship Weight*     |
|---------------------------|---------------------|--|-------------------------------------|-------------|----------------|-------------|--|------------------|
| GR3SDS-27DCT              | 10                  | 27.18" x 27.76" x 26.32"<br>(690 x 705 x 669 mm) | 23.25"W x 21.25"D<br>(591 x 540 mm) | 120         | 1340           | 11.2        | NEMA 5-15P                               | 155 lbs. (70 kg) |
| GR3SDS-33DCT              | 12                  | 33.18" x 27.76" x 26.32"<br>(843 x 705 x 669 mm) | 29.25"W x 21.25"D<br>(743 x 540 mm) | 120         | 1747           | 14.6        | NEMA 5-15P <sup>▲</sup>                  | 175 lbs. (79 kg) |
| GR3SDS-39DCT <sup>+</sup> | 14                  | 39.18" x 27.49" x 26.49"<br>(995 x 698 x 673 mm) | 35.25"W x 21.25"D<br>(895 x 540 mm) | (2) 120     | 1530, 600      | 12.8, 5.0   | (2) NEMA 5-15P                           | 186 lbs. (84 kg) |
|                           |                     |  |                                     | 120/208-240 | 2130           | 12.8        | NEMA L14-20P                             |                  |
|                           |                     |  |                                     | 220-230-240 | 1750-1910-2080 | 8.0-8.3-8.7 | CEE 17, BS-1363, AS-3112, CEE 7/7 Schuko |                  |

### Glo-Ray® Merchandising Warmer - Triple Shelf

| Model                     | No. of Divider Rods | Dimensions (W x D x H)                           | Useable Heated Shelf Space          | Volts       | Watts          | Amps           | Plug                                     | Ship Weight*      |
|---------------------------|---------------------|--|-------------------------------------|-------------|----------------|----------------|--|-------------------|
| GR3SDS-27TCT <sup>+</sup> | 15                  | 27.18" x 28.94" x 34.3"<br>(690 x 735 x 871 mm)  | 23.25"W x 21.25"D<br>(591 x 540 mm) | (2) 120     | 980, 1115      | 8.2, 9.3       | (2) NEMA 5-15P                           | 190 lbs. ( 86 kg) |
|                           |                     |  |                                     | 120/208-240 | 2095           | 9.3            | NEMA L14-20P                             |                   |
| GR3SDS-33TCT <sup>+</sup> | 18                  | 33.18" x 27.93" x 34.52"<br>(843 x 710 x 877 mm) | 29.25"W x 21.25"D<br>(743 x 540 mm) | (2) 120     | 1293, 1430     | 10.8, 11.9     | (2) NEMA 5-15P                           | 215 lbs. ( 98 kg) |
|                           |                     |  |                                     | 120/208-240 | 2723           | 11.9           | NEMA L14-20P                             |                   |
| GR3SDS-39TCT <sup>+</sup> | 21                  | 39.18" x 27.49" x 34.72"<br>(995 x 698 x 882 mm) | 35.25"W x 21.25"D<br>(895 x 540 mm) | (2) 120     | 1555, 1755     | 13.0, 14.6     | (2) NEMA 5-15P                           | 230 lbs. (104 kg) |
|                           |                     |  |                                     | 120/208-240 | 3310           | 14.6           | NEMA L14-20P                             |                   |
|                           |                     |  |                                     | 220-230-240 | 2720-2970-3235 | 12.4-12.9-13.5 | CEE 17, BS-1363, AS-3112, CEE 7/7 Schuko |                   |

\* Shipping weight includes packaging.

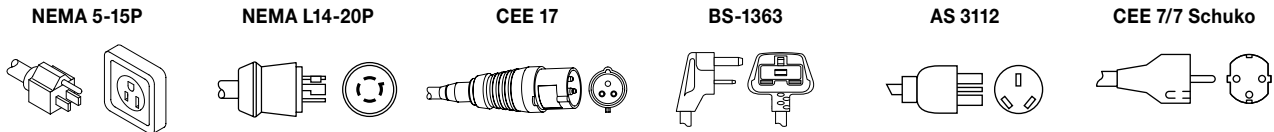
<sup>+</sup> Requires 2, 120V power cords.

<sup>▲</sup> Canadian model uses NEMA 5-20P.

## CORD LOCATION

Server side, lower right corner.

## PLUG CONFIGURATIONS



## PRODUCT SPECS

### Glo-Ray® Heated Glass Merchandisers

The Heated Glass Merchandiser shall be a Glo-Ray® model ... as manufactured by the Hatco Corporation, Milwaukee, WI 53234 U.S.A.

The Merchandiser shall be rated at ... watts, ...volts, single phase, and be ... millimeters (inches) in overall width. The Glo-Ray shall consist of aluminum and stainless steel with dual or triple glass shelves, coming standard in *Designer Black*. Featuring tempered glass side panels, blanket-style heating elements in the

hardcoated heated base and upper canopy, unique patented heated glass shelves, LED display lights, Front box stops and adjustable divider rods, 2.5" (64 mm) legs, and one or two 6" (1829 mm) power cord and plug sets.

Accessories shall include additional divider rods.

Warranty consists of 24/7 parts and service assistance (US and Canada only).

**HATCO CORPORATION** | P.O. Box 340500 Milwaukee, WI 53234-0500 U.S.A.  
(800) 558-0607 | (414) 671-6350 | [www.hatcocorp.com](http://www.hatcocorp.com) | [support@hatcocorp.com](mailto:support@hatcocorp.com)